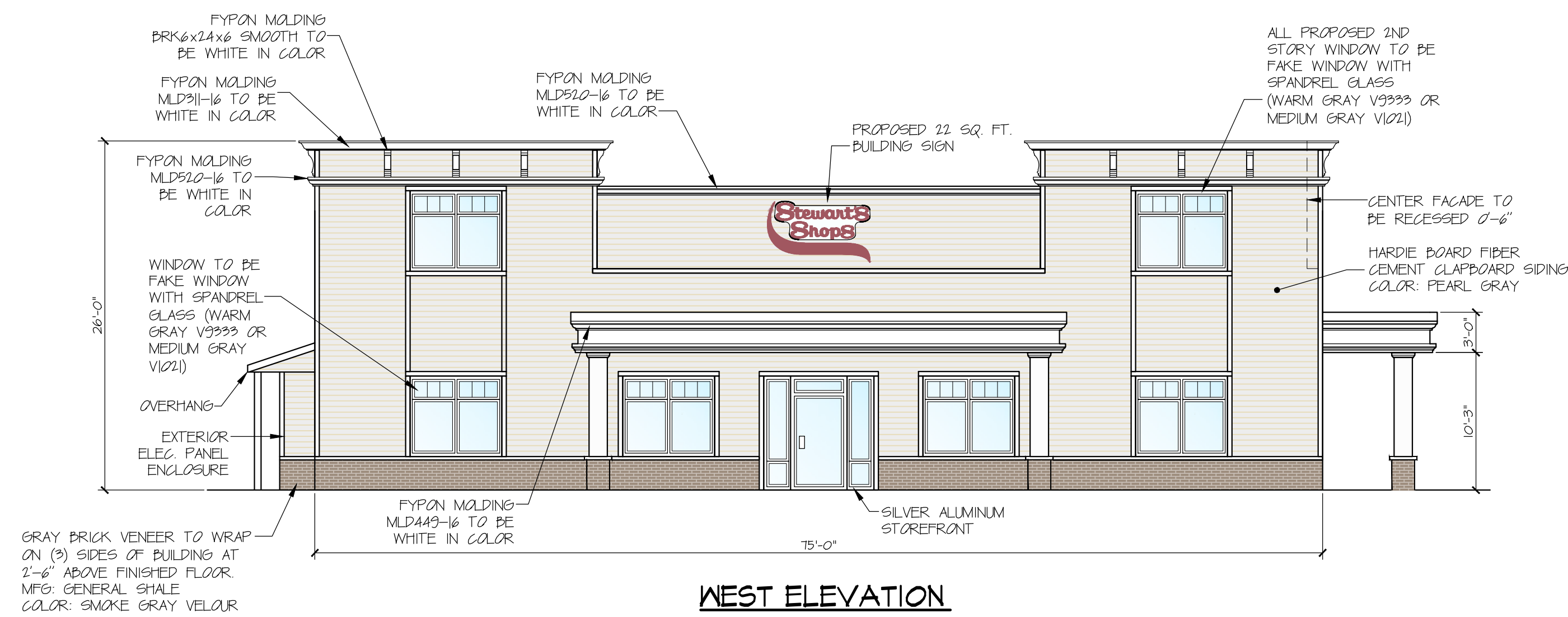
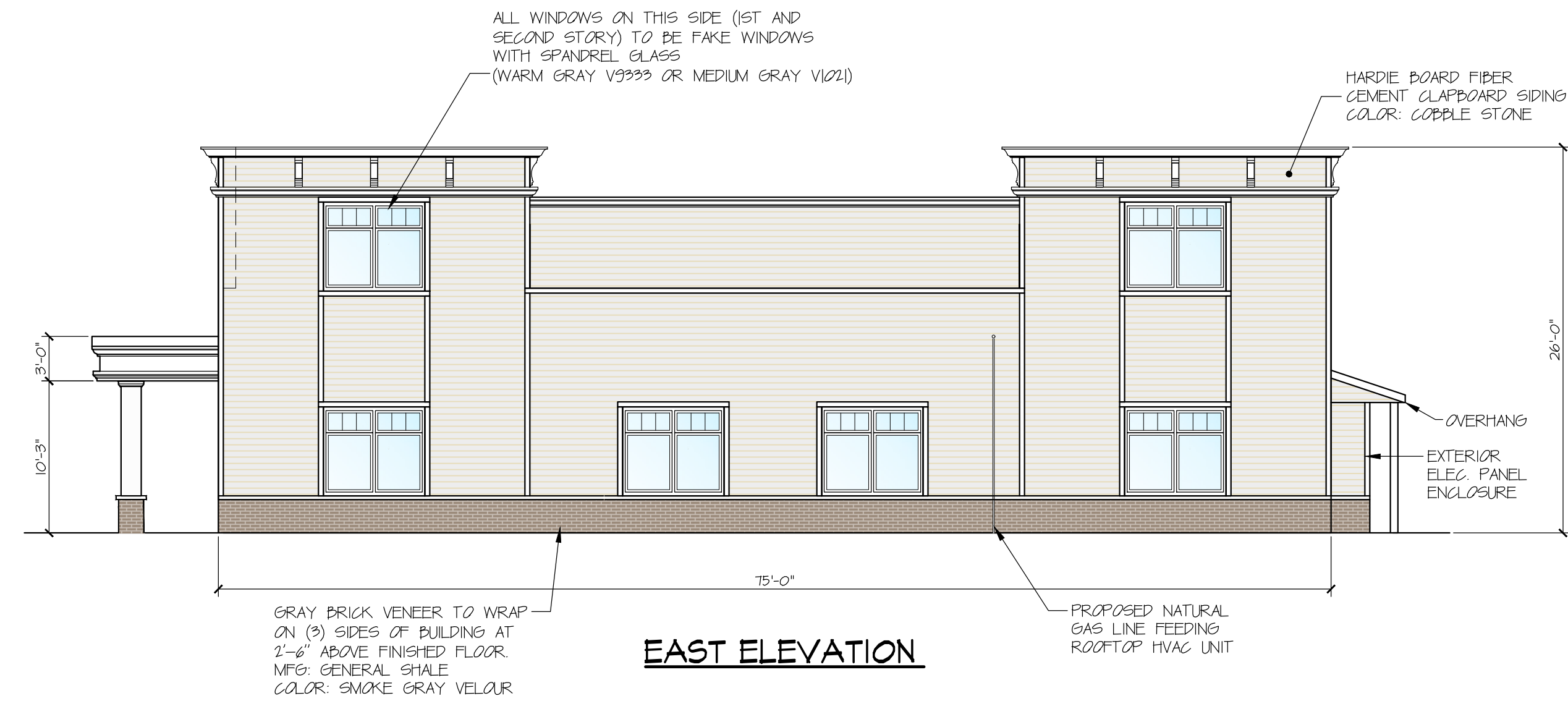


PROPOSED STEWART'S SHOP

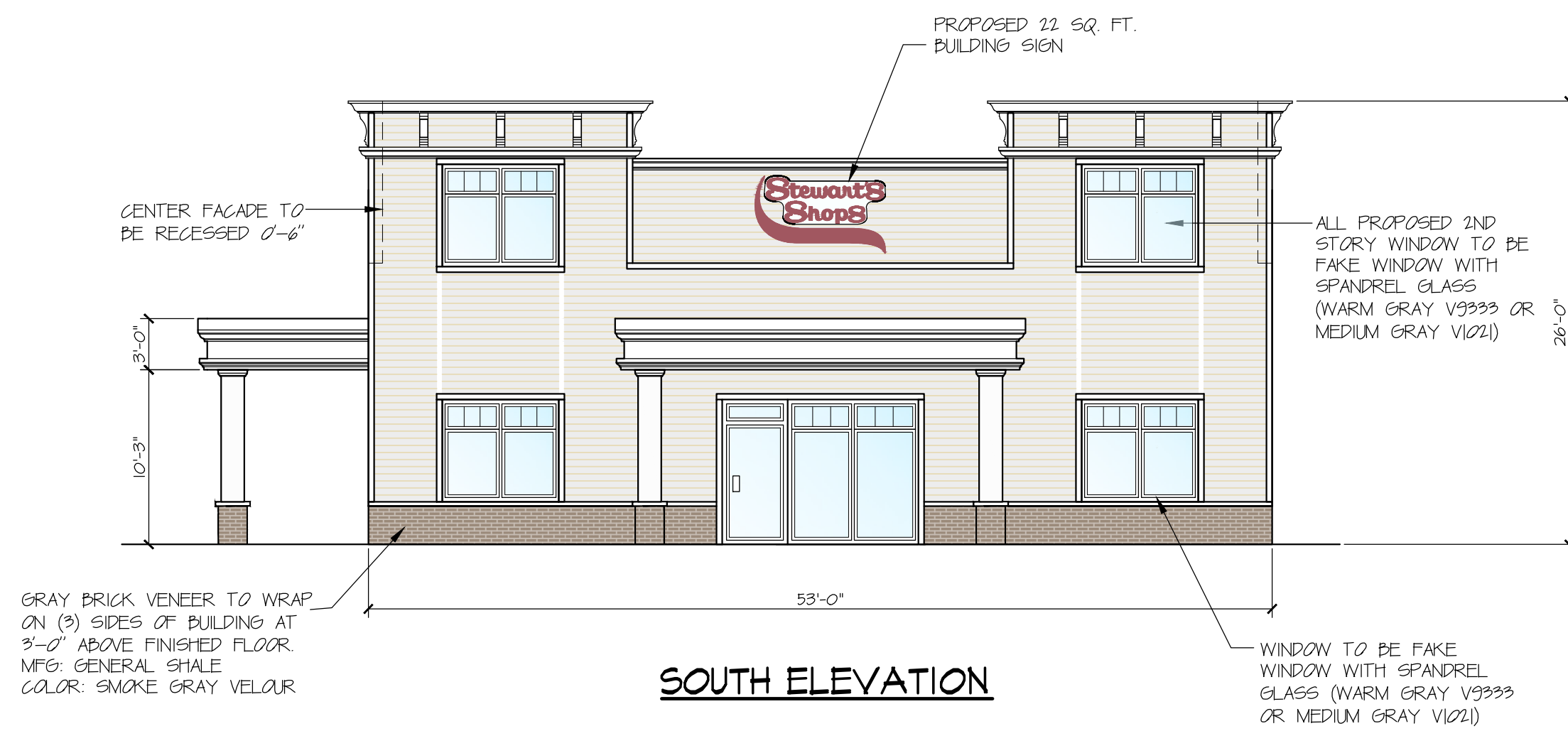
2 COLVIN AVENUE - CITY OF ALBANY, NY



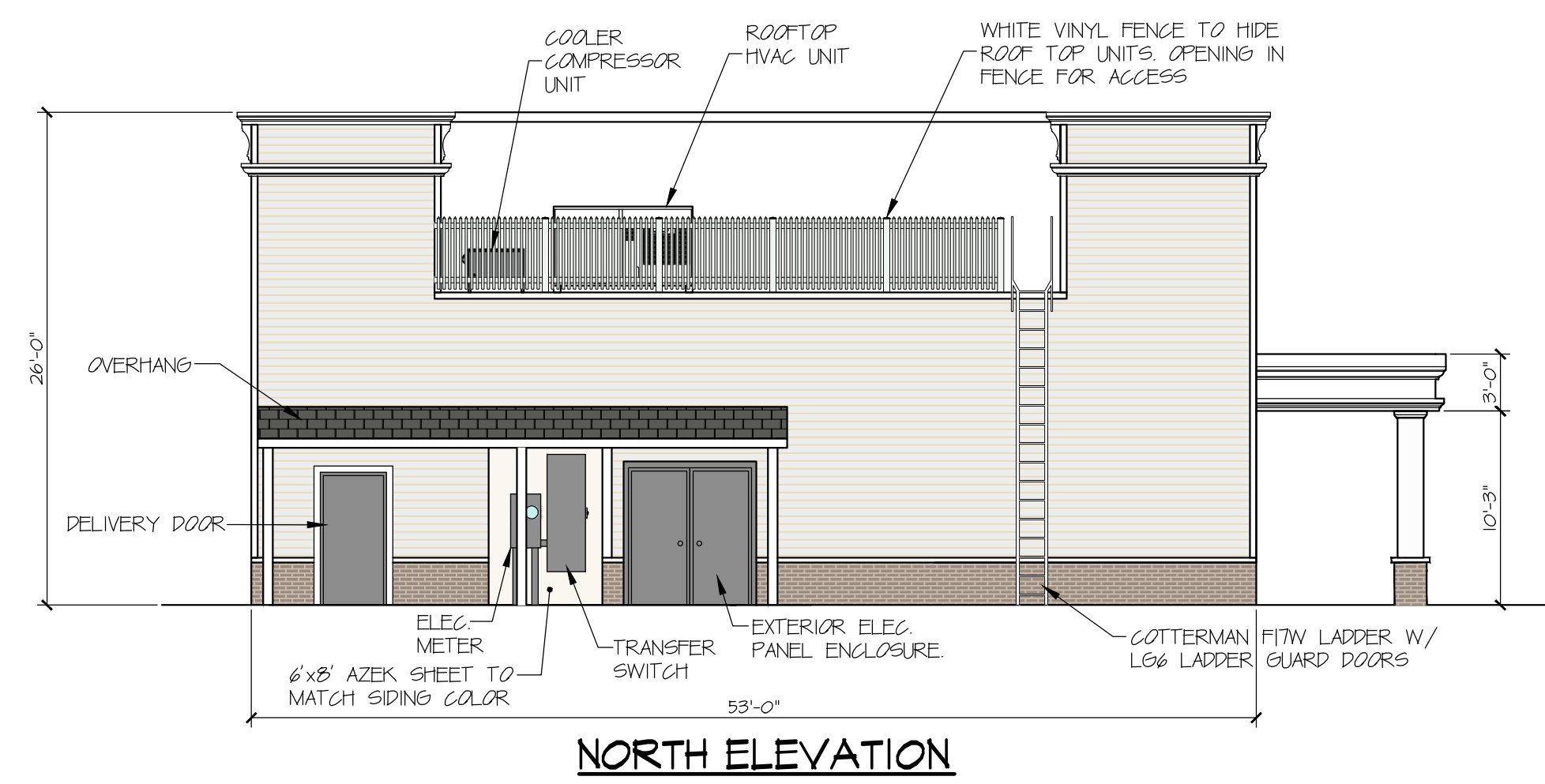
WEST ELEVATION



EAST ELEVATION

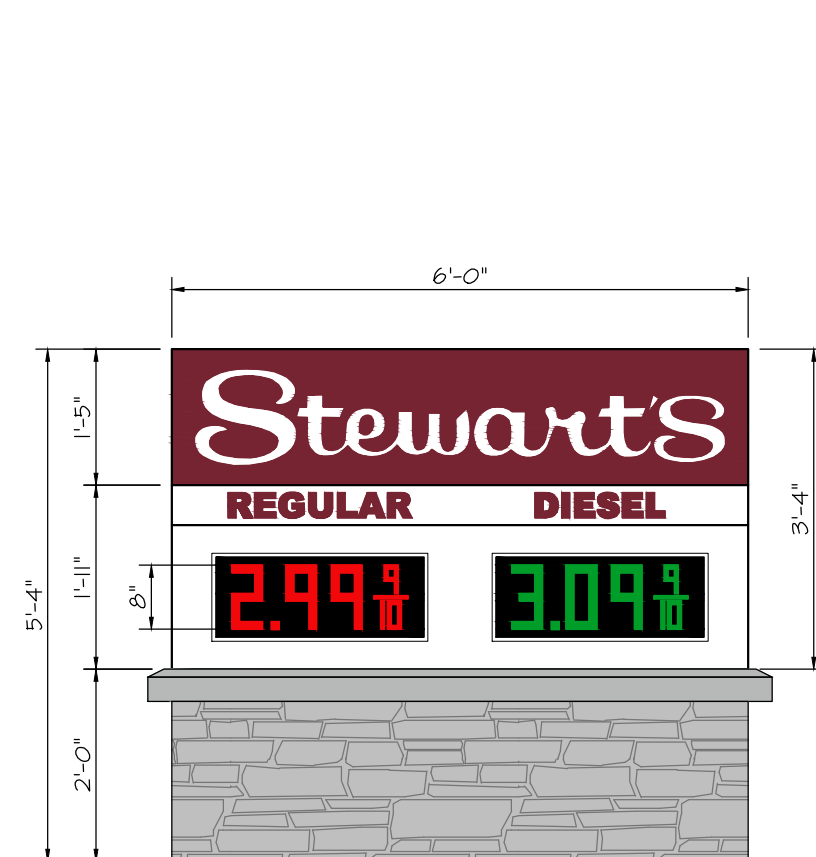


SOUTH ELEVATION



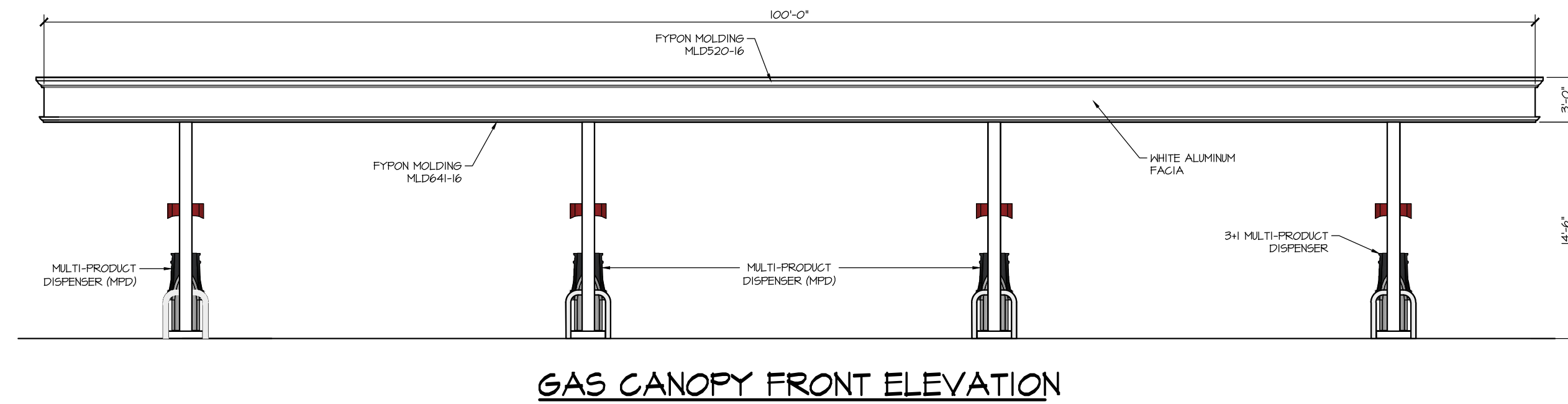
NORTH ELEVATION

SHEET NO.	DRAWING NAME	DESCRIPTION
1	T-1	TITLE SHEET
2	S-1	EXISTING SITE/DEMO PLAN
3	S-2	PROPOSED SITE PLAN
4	S-3	LANDSCAPING PLAN
5	S-4	LIGHTING PLAN
6	S-5	TRUCK ROUTING PLAN

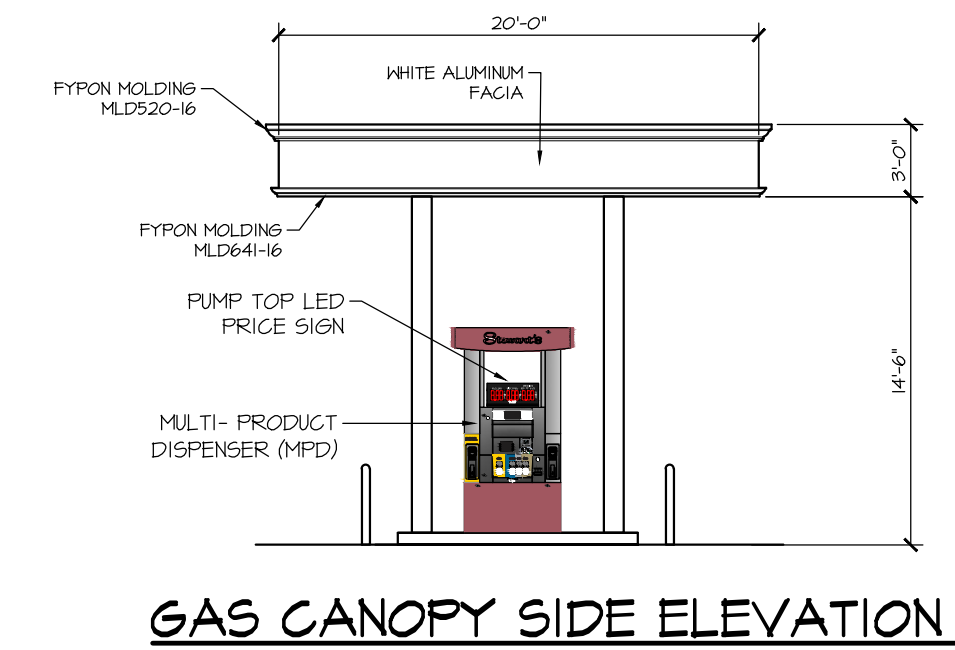


PROPOSED MONUMENT SIGN

- TOTAL SIGN: - 6'-0" X 3'-4" = 20 SQ. FT.
- STEWART'S LETTERS: - 1/8" PLEXIGLASS FACE ON 4-1/2" THICK CAN
- GAS PRICE LETTERS: - 8'-2" X 2" (2) = 27 SQ. FT. (13.5% OF TOTAL SIGN)
- ILLUMINATION: - INTERNALLY ILLUMINATED WITH LED LIGHTING
- ONLY SIGN COPY (LETTERS / NUMBERS) TO BE ILLUMINATED
- SIGN BACKGROUND SHALL REMAIN OPAQUE (LIGHT TRANSMISSION SHALL BE BLOCKED)
- BURGUNDY LETTERS
- WHITE COLOR BACKGROUND
- 8" RED LED GAS PRICE NUMBERS
- 8" GREEN LED DIESEL PRICE NUMBERS



GAS CANOPY FRONT ELEVATION



GAS CANOPY SIDE ELEVATION

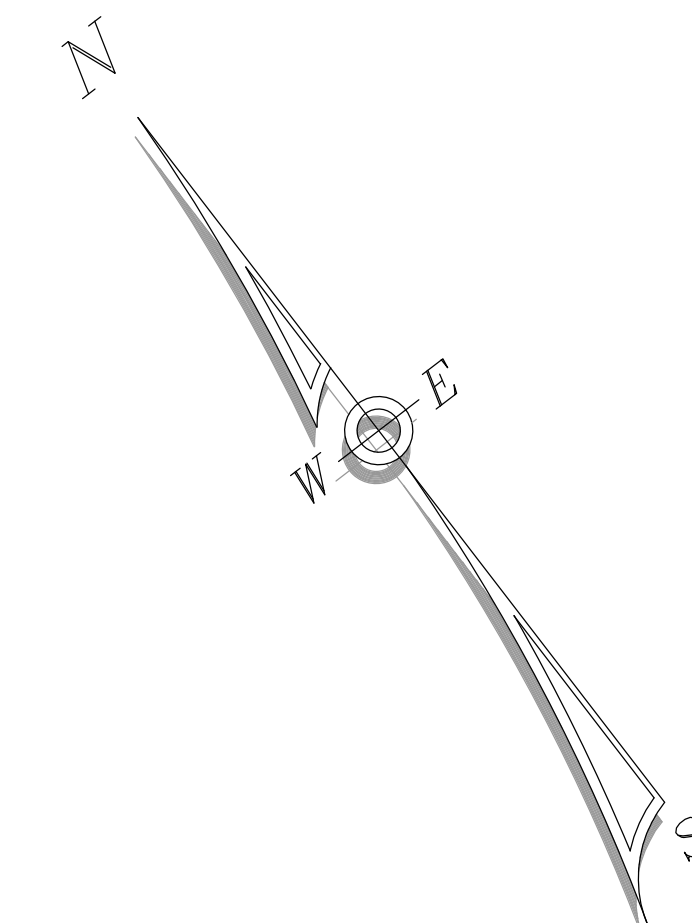


TYPICAL BUILDING SIGN

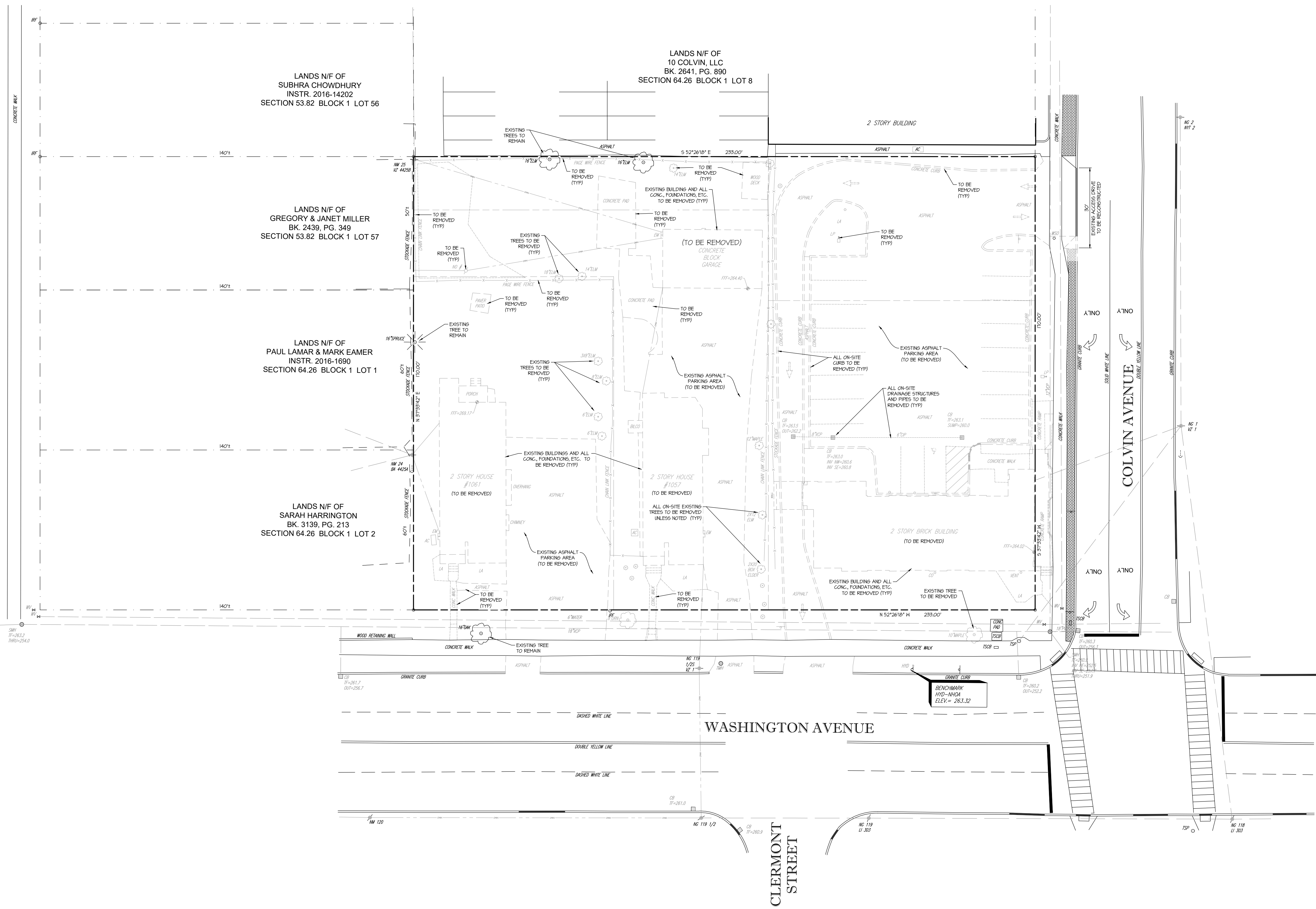
- SIZE: - 22 SQ. FT.
- LETTERS: - 1/8" PLEXIGLASS FACE ON 4-1/2" THICK CAN
- ILLUMINATION: - INTERNALLY ILLUMINATED WITH LED LIGHTING
- BURGUNDY LETTERS
- WHITE COLOR BACKGROUND

STORE NAME, ABBREVIATION & NO.		COLVIN AVENUE - CLVA - 237	
SITE LOCATION		2 COLVIN AVENUE - ALBANY, NY	
DATE	NO.	REVISIONS	
12/28/20	1	LAYOUT REVISED PER CITY STAFF COMMENTS	
3/12/21	2	REVISED PER CITY COMMENTS	
5/18/20	3	REVISED PER CITY COMMENTS	
DRAWN BY: JRG		SCALE: NONE	
DATE: 12/24/19		DRAWING NO. T-1	
SARATOGA SPRINGS, NY 12866		TEL: (518)581-1200 FAX: (518)581-1204	
TILE:		TITLE SHEET	

ALTERATIONS TO THIS DOCUMENT BY OTHER THAN AN AUTHORIZED LICENSED PROFESSIONAL ENGINEER IS ILLEGAL AND A VIOLATION OF THE NEW YORK STATE EDUCATION LAW



LEGEND	
PROPERTY LINE	---
FIRE HYDRANT	
WATER VALVE	
GAS VALVE	
SEWER MANHOLE	
SEWER CLEANOUT	
CURB INLET	
CATCH BASIN	
GUY WIRE	
UTILITY POLE	
SIGNPOST	
TRAFFIC SIGNAL CONTROL BOX	
POLE LIGHT	
WELL	
BOLLARD	
IRRIGATION SLEEVE	IR
OVERHEAD UTILITIES	OHN
WATER SERVICE, 1" TYPE "K" COPPER	W
SEWER SERVICE, 4" SDR 26	S
STORM PIPE, PROPOSED, HDPE	STP
STORM PIPE, EXISTING	STP
STOCKADE FENCE	---
CHAINLINK FENCE	---
SPLITRAIL FENCE	---
W/G ELECTRICAL/TELE SERVICE	UE/UT
W/G ELECTRICAL CONDUIT	UE
W/G GAS LINE	G
W/G CAMERAL CONDUIT	CAM
DIESEL PRODUCT LINE	DSEL
SUPER PRODUCT LINE	SUP
UNLEADED PRODUCT LINE	UNL
EXISTING MAJOR CONTOUR	100
EXISTING MINOR CONTOUR	100
PROPOSED MAJOR CONTOUR	100
PROPOSED MINOR CONTOUR	100
PROPOSED SPOT ELEVATION	100.00
EXISTING UNCHANGED SPOT ELEVATION	100.00



STORE NAME, ABBREVIATION & NO.		COLVIN AVENUE - CLVA - 237	
SITE LOCATION		2 COLVIN AVENUE - ALBANY, NY	
DATE	NO.	REVISIONS	
12/26/20	1	LAYOUT REVISED PER CITY STAFF COMMENTS	
3/3/20	2	REVISED PER CITY COMMENTS	
5/8/20	3	REVISED PER CITY COMMENTS	
DRAWN BY: JR6		SCALE: 1"=20'	
DATE: 12/24/19		DRAWING NO. S-1	
SARATOGA SPRINGS, NY 12866		TEL: (518)581-1200 FAX: (518)581-1209	
TITLE: EXISTING SITE / DEMOLITION PLAN			

ALTERATIONS TO THIS DOCUMENT BY OTHER THAN AN AUTHORIZED LICENSED PROFESSIONAL ENGINEER IS ILLEGAL AND A VIOLATION OF THE NEW YORK STATE EDUCATION LAW

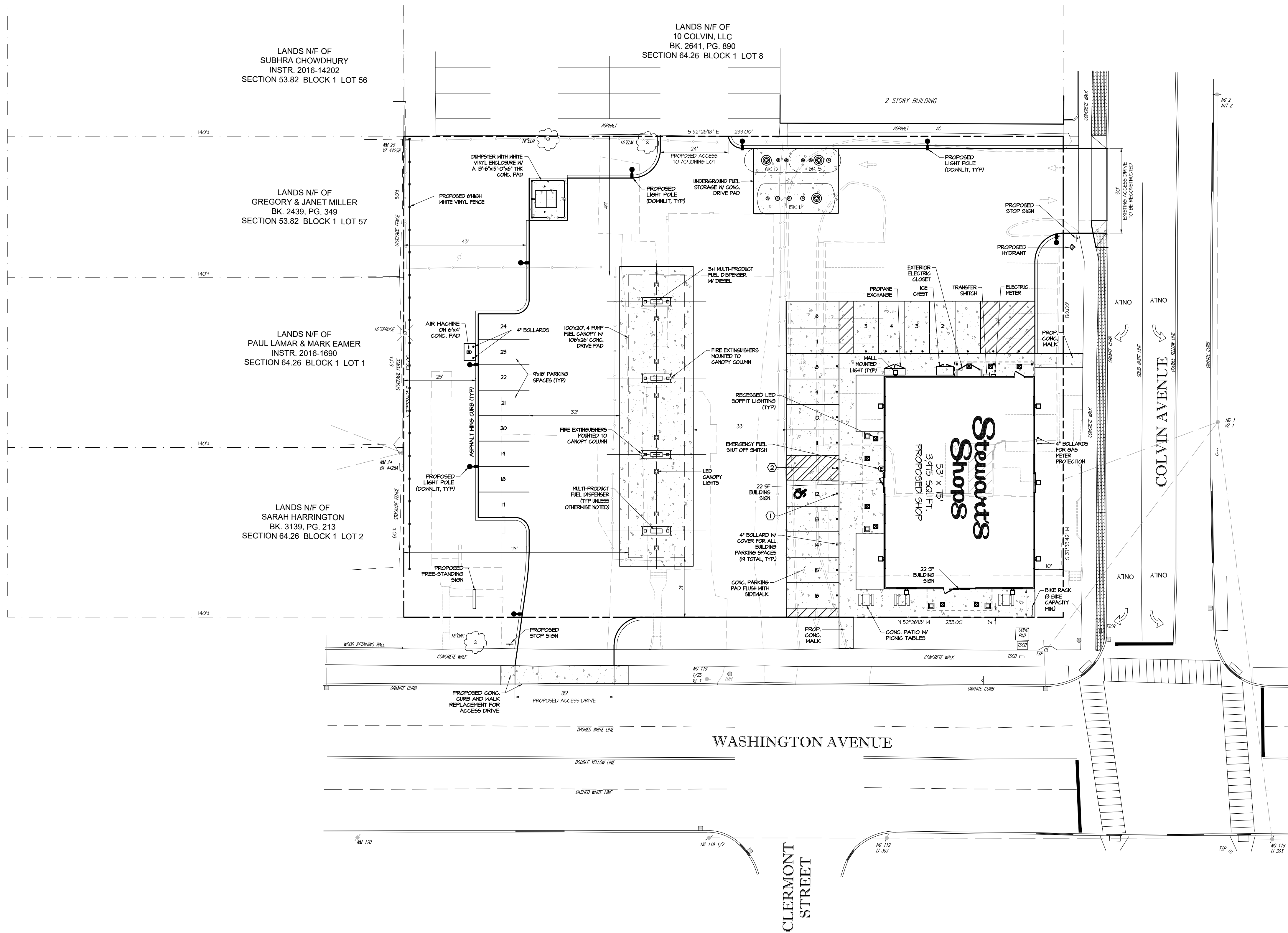
1. SOME FEATURES IN LEGEND MAY NOT HAVE BEEN USED.
 2. DASHED LINES INDICATE NON WORK.
 3. DOTTED LINES INDICATE REMOVED ITEMS.



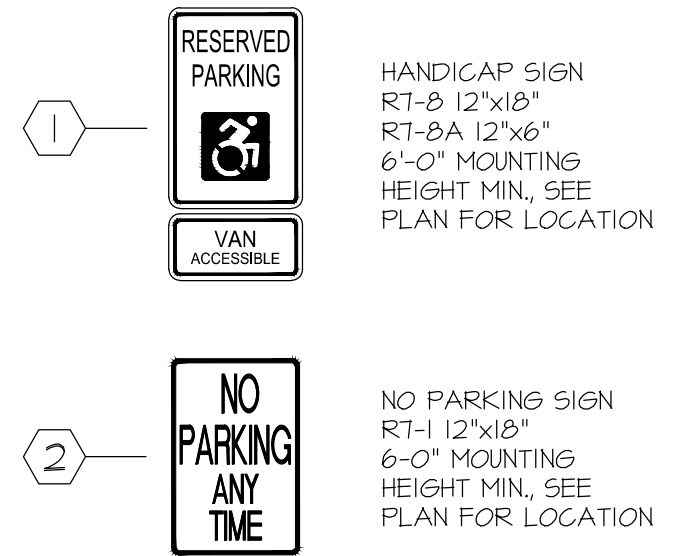
SITE LOCATION MAP
SCALE: N.T.S.

LEGEND	
PROPERTY LINE	---
FIRE HYDRANT	
WATER VALVE	
GAS VALVE	
SEWER MANHOLE	
SEWER CLEANOUT	
CURB INLET	
CATCH BASIN	
GUY WIRE	
UTILITY POLE	
SIGNPOST	
TRAFFIC SIGNAL CONTROL BOX	
POLE LIGHT	
WELL	
BOLLARD	
IRRIGATION SLEEVE	IR
OVERHEAD UTILITIES	OH#1
WATER SERVICE, 1" TYPE "K" COPPER	W
SEWER SERVICE, 4" SDR 26	S
STORM PIPE, PROPOSED, HDPE	STP
STORM PIPE, EXISTING	STP
STOCKADE FENCE	---
CHAINLINK FENCE	---
SPLITRAIL FENCE	---
U/G ELECTRICAL/TELE SERVICE	UE/UT
U/G ELECTRICAL CONDUIT	UE
U/G GAS LINE	G
U/G CAMERAL CONDUIT	CAM
DIESEL PRODUCT LINE	DSL
SUPER PRODUCT LINE	SUP
UNLEADED PRODUCT LINE	UNL
EXISTING MAJOR CONTOUR	100
EXISTING MINOR CONTOUR	100
PROPOSED MAJOR CONTOUR	100
PROPOSED MINOR CONTOUR	100
PROPOSED SPOT ELEVATION	100.00
EXISTING UNCHANGED SPOT ELEVATION	100.00

1. SOME FEATURES IN LEGEND MAY NOT HAVE BEEN USED.
2. DASHED LINES INDICATE NEW WORK.
3. DOTTED LINES INDICATE REMOVED ITEMS.



- SIGN KEY:**
- 1) ALL SIGNS ARE TO CONFORM WITH N.Y.S.D.O.T. STANDARD SECTION 645.
 - 2) SIGN POST TO BE SECURED IN BOLLARD WITH SAND
 - 3) SIGNS SHALL BE MOUNTED TO GALVANIZED U CHANNEL POSTS IN THE LOCATIONS INDICATED ON THE PLAN.



CITY OF ALBANY - ALBANY COUNTY
TAX MAP S.B.L.# 6426-1-345641
ZONING DISTRICT - MIXED-USE NEIGHBORHOOD CENTER (MU-NC)

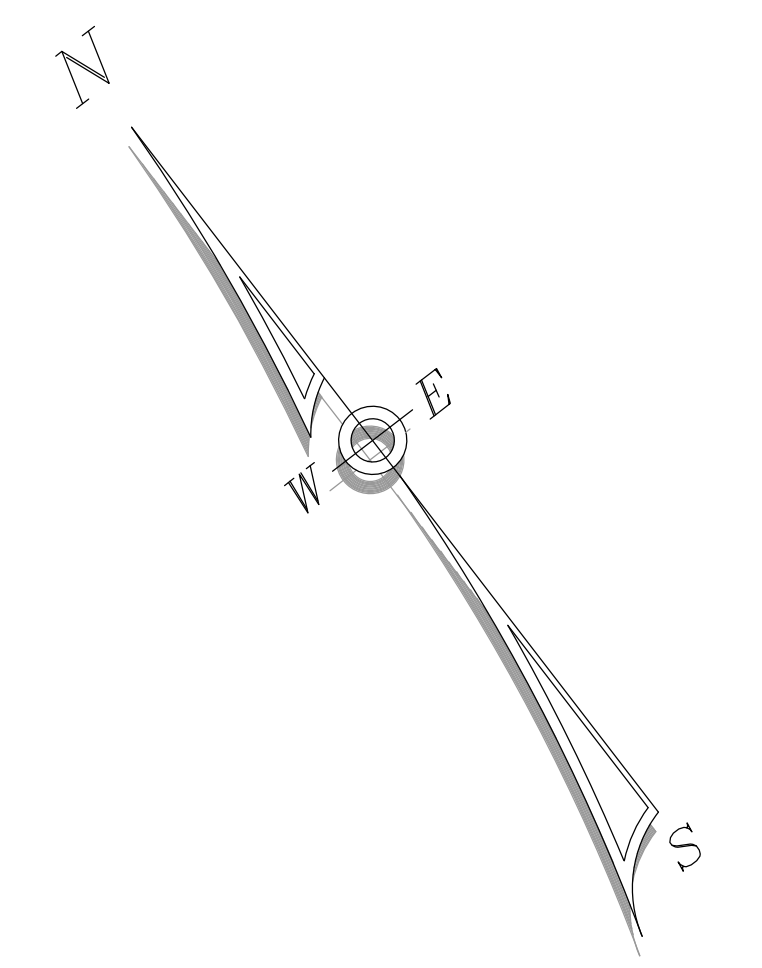
	REQUIRED	PROPOSED
MINIMUM LOT SIZE	N/A	34,610 SQ. FT. (0.81 ACRES)
MINIMUM LOT WIDTH	20 FEET	233 FEET
MAXIMUM LOT COVERAGE	90%	78%
MAXIMUM FRONT SETBACK (COLVIN / EAST)	10 FEET	10 FEET
MAXIMUM FRONT SETBACK (WASHINGTON / SOUTH)	10 FEET	2 FEET
MINIMUM SIDE SETBACK (WEST)	0 FEET	71 FEET
MINIMUM REAR SETBACK (NORTH)	10 FEET	44 FEET
MAXIMUM BUILDING HEIGHT	3-12 STORIES	1-STORY (26 FEET)
PARKING	1 PER 200 SQ. FT. NET LEASABLE AREA 3,986/200=20 SPACES	24 SPACES

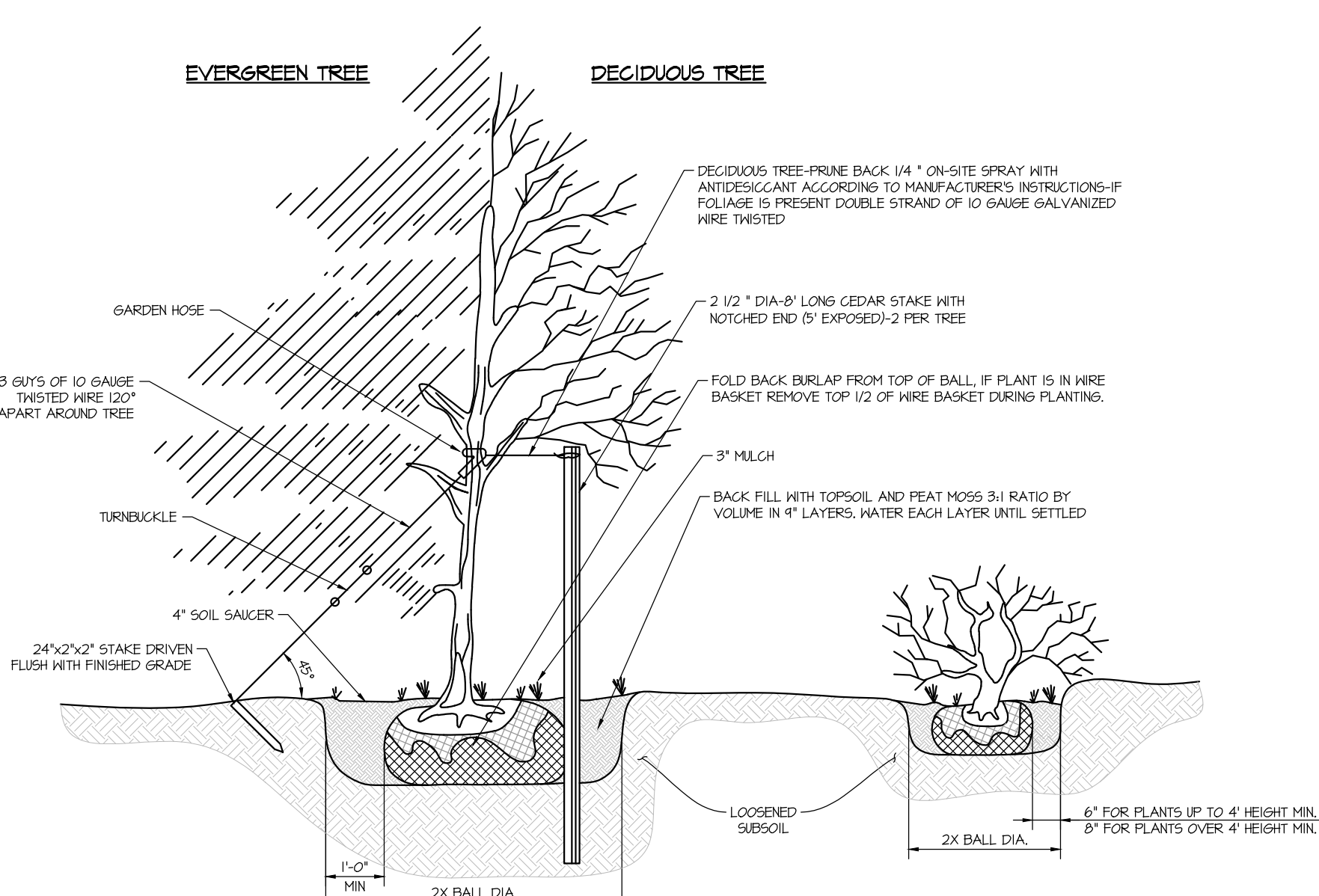
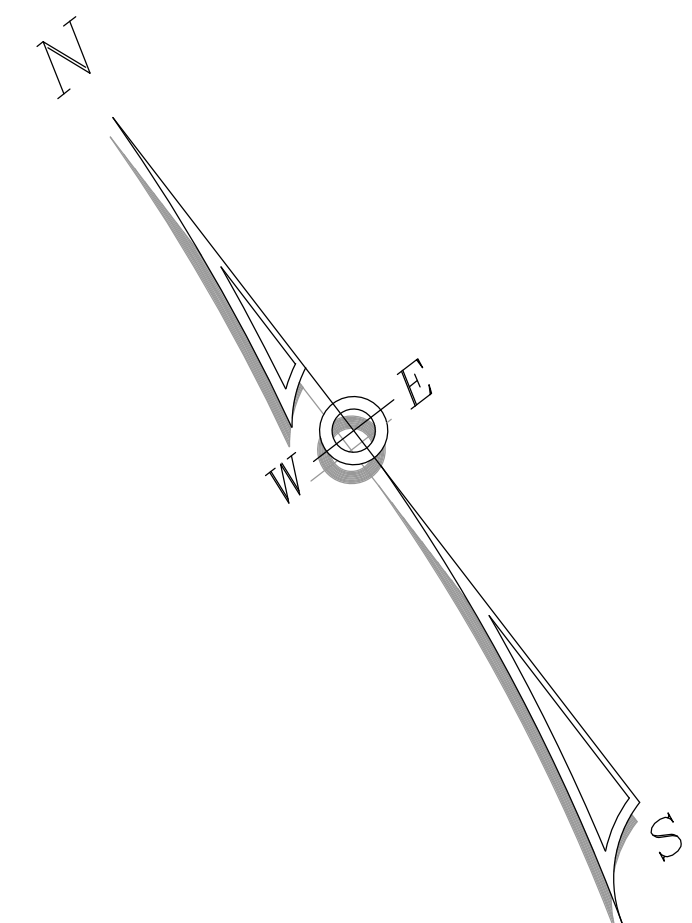
SITE STATISTICS:

EXISTING SITE USAGE DATA	PROPOSED SITE USAGE DATA
GREENSPACE 14,880 SQ. FT. 30%	GREENSPACE 8,712 SQ. FT. 22%
BUILDING 6,240 SQ. FT. 16%	BUILDING 3,715 SQ. FT. 10%
CONC. / PAVE 19,324 SQ. FT. 46%	CONC. / PAVE 26,423 SQ. FT. 68%

STORE NAME, ABBREVIATION & NO.		COLVIN AVENUE - CLVA - 237	
SITE LOCATION		2 COLVIN AVENUE - ALBANY, NY	
DATE	NO.	REVISIONS	
10/26/20	1	LAYOUT REVISED PER CITY STAFF COMMENTS	
3/3/20	2	REVISED PER CITY COMMENTS	
5/8/20	3	REVISED PER CITY COMMENTS	
DRAWN BY: JR6		SCALE: 1"=20'	
DATE: 12/24/19		DRAWING NO. 5-2	
SARATOGA SPRINGS, NY 12866		TEL: (518)581-1200 FAX: (518)581-1209	
TITLE: PROPOSED SITE PLAN			

ALTERATIONS TO THIS DOCUMENT BY OTHER THAN AN AUTHORIZED LICENSED PROFESSIONAL ENGINEER IS ILLEGAL AND A VIOLATION OF THE NEW YORK STATE EDUCATION LAW






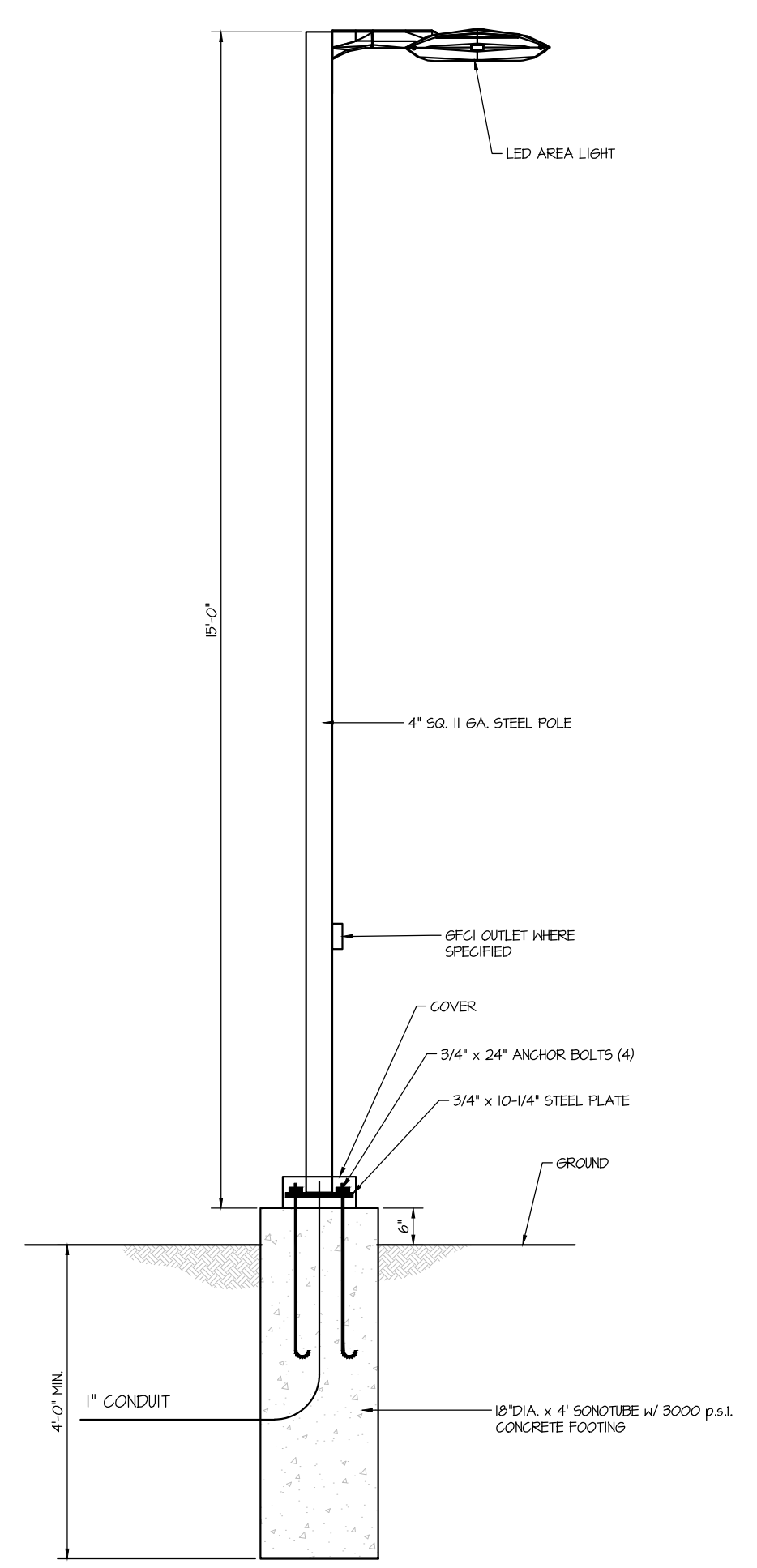
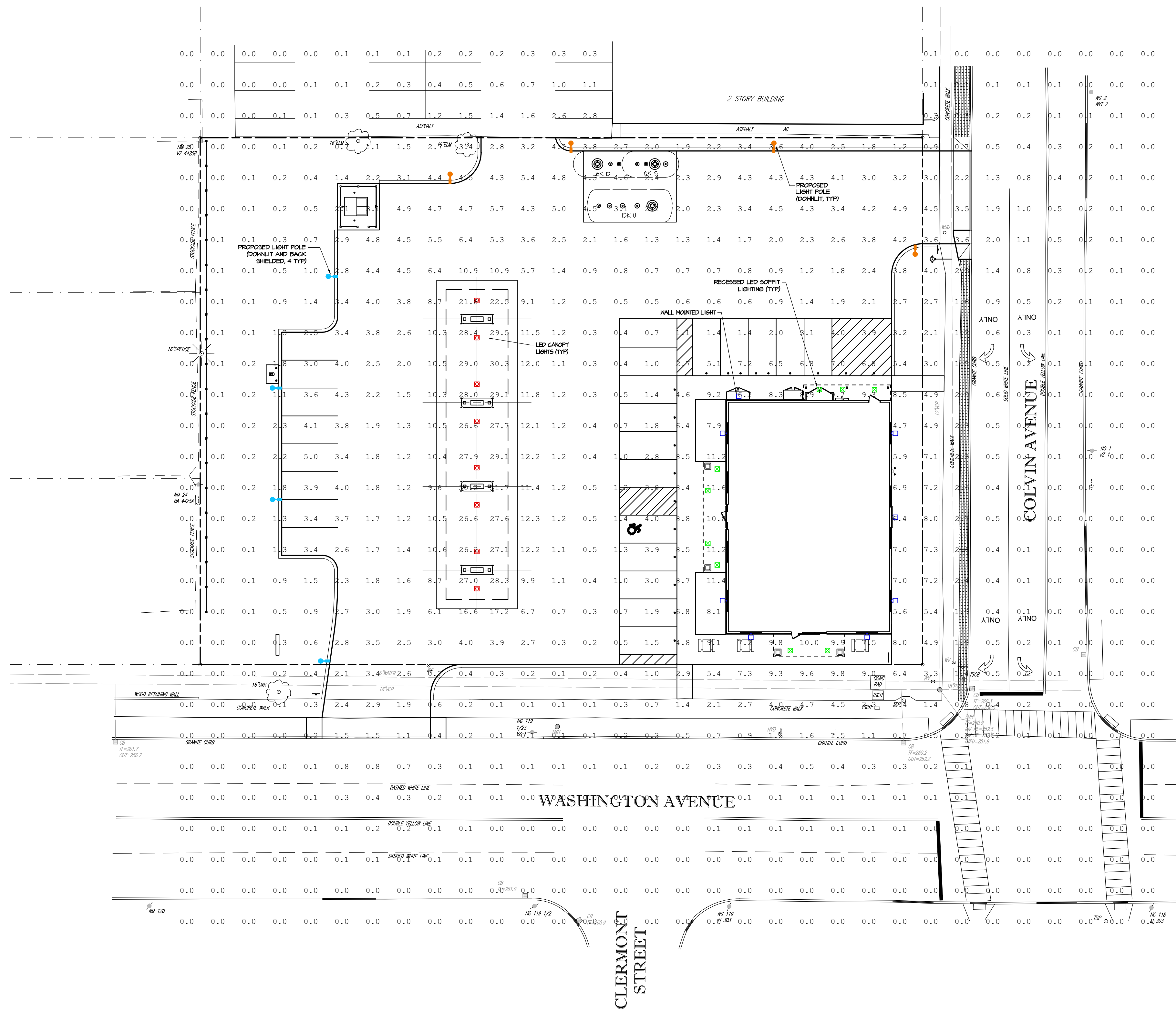
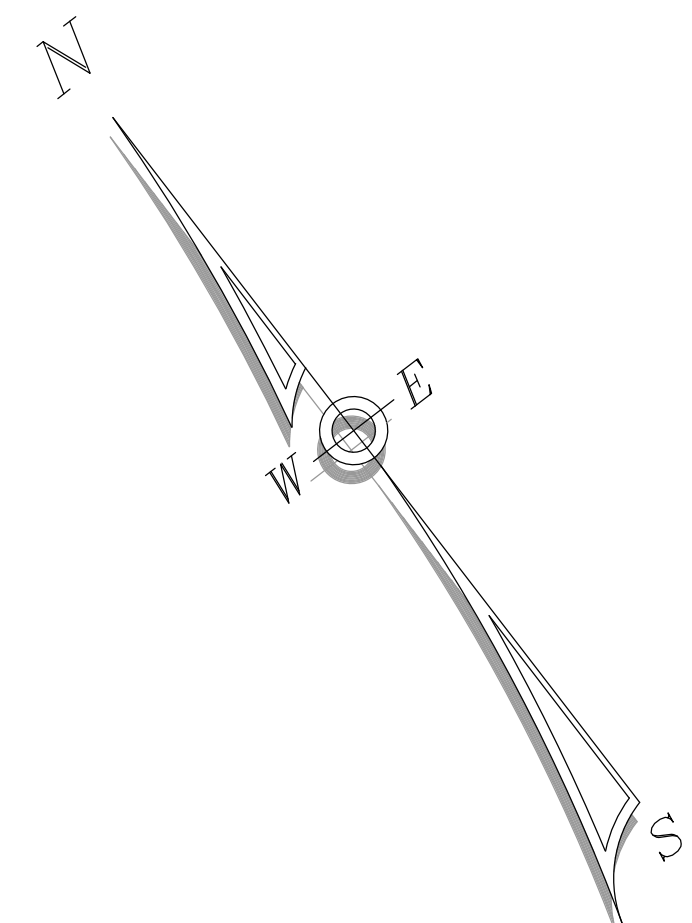
- PLANTING NOTES:**
1. DECIDUOUS PLANTING SEASONS: SPRING: APRIL 1 - MAY 20; FALL: OCTOBER 1 - NOVEMBER 15
 2. ALL PLANTS SHALL BE GUARANTEED AND MAINTAINED FOR A PERIOD OF 1 YEAR AFTER BEING PROPERLY PLANTED.
 3. REPLACEMENT PLANTS SHALL BE PLANTED IN CONFORMANCE WITH THE SAME SPECIFICATIONS AS THE ORIGINAL PLANTS.
 4. HEAR DECIDUOUS TREES OVER 17 CAL WITH PLASTIC TREE GUARDS - REMOVE TREE GUARDS AFTER A MIN. OF 2 WINTERS AND BEFORE A MAX. OF 5 WINTERS
 5. EVERGREEN TREE-GROUND LINE TO BE THE SAME AS EXISTED AT THE NURSERY
 6. TREE CALIPER IS TO BE MEASURED AT A HEIGHT OF 4'
 7. ALL STAKES AND 6X7 WIRES TO BE REMOVED 2 YEARS AFTER INITIAL PLANTING.

PLANTING DETAIL
SCALE: N.T.S.

PLANT LIST

	ABRV	BOTANICAL NAME	COMMON NAME	QTY	SIZE	SPACING
PERENNIALS	HS	HEMEROCALLIS 'STELLA DE ORO'	DAYLILY - STELLA DE ORO	22	2 GAL.	AS SHOWN
	RF	RUDBECKIA FULGIDA	BLACK-EYED SUSAN	28	2 GAL.	AS SHOWN
	EP	ECHINACEA PURPUREA 'RUBY STAR'	CONEFLOWER - PURPLE	12	2 GAL.	AS SHOWN
	PF	PENNISETUM PISLET	GRASS - PISLET FOUNTAIN	16	2 GAL.	AS SHOWN
	SN	SALVIA NEMOROSA 'MAINAGHT'	SALVIA - MAY NIGHT	22	2 GAL.	AS SHOWN
	OH	HYDRANGEA QUERCIFOLIA 'BRIDG'	SNOWFLAKE OAKLEAF HYDRANGEA	4	14"-18"	AS SHOWN
SHRUBS	RPJ	RHOODODENDRON 'PJM'	PJM RHODODENDRON	6	14"-18"	AS SHOWN
	SJ	SPIRAEA JAPONICA	LITTLE PRINCESS SPIREA	8	14"-18"	AS SHOWN
	SG	SPIRAEA GOLDMOUND	GOLDMOUND SPIREA	14	14"-18"	AS SHOWN
TREES	PA	PLATANUS X ACERIFOLIA	LONDON PLANETREE	4	3" - 3-1/2" CAL.	AS SHOWN
	GTS	GLEDITSIA TRIACANTHOS 'SHADEMASTER'	SHADEMASTER HONEYLOCUST	1	3" - 3-1/2" CAL.	AS SHOWN
	QR	QUERCUS RUBRA	NORTHERN RED OAK	1	3" - 3-1/2" CAL.	AS SHOWN
	TON	THUJA OCCIDENTALIS 'NIGRA'	DARK AMERICAN ARBORVITAE	21	5'-6" MIN.	AS SHOWN
	CF	CORNUS FLORIDA 'CHEROKEE CHIEF'	RED FLOWERING DOGWOOD	2	3" - 3-1/2" CAL.	AS SHOWN

STORE NAME, ABBREVIATION & NO.		COLVIN AVENUE - CLVA - 237	
SITE LOCATION		2 COLVIN AVENUE - ALBANY, NY	
DATE	NO.	REVISIONS	
10/26/20	1	LAYOUT REVISED PER CITY STAFF COMMENTS	
5/8/20	5	REVISED PER CITY COMMENTS	
DRAWN BY: JR6		SCALE: 1"=20'	
DATE: 12/24/19		DRAWING NO. 5-3	
		SARATOGA SPRINGS, NY 12866 TEL: (518)581-1200 FAX: (518)581-1209	
ALTERATIONS TO THIS DOCUMENT BY OTHER THAN AN AUTHORIZED LICENSED PROFESSIONAL ENGINEER IS ILLEGAL AND A VIOLATION OF THE NEW YORK STATE EDUCATION LAW		TITLE: LANDSCAPE PLAN	



LIGHT POLE DETAIL

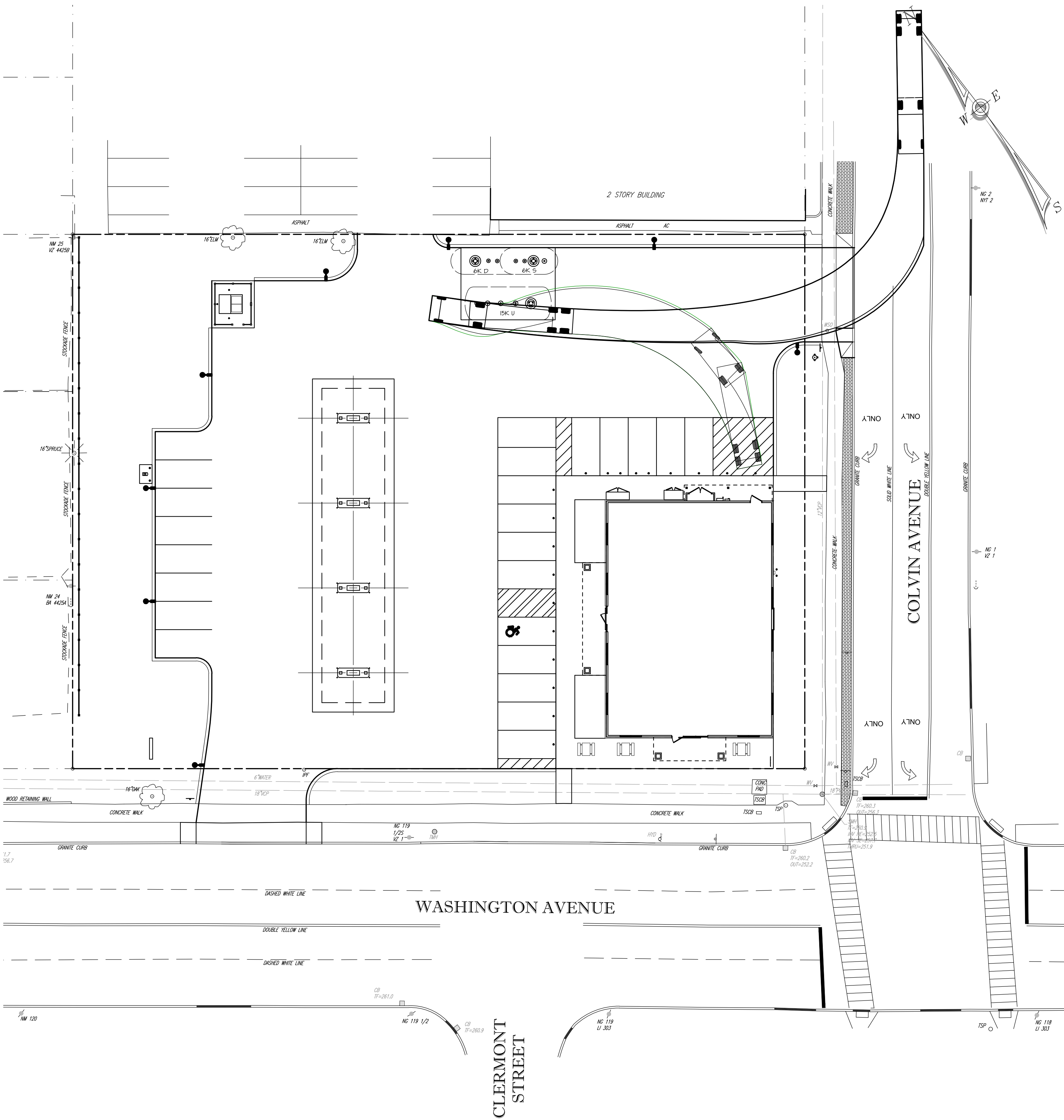
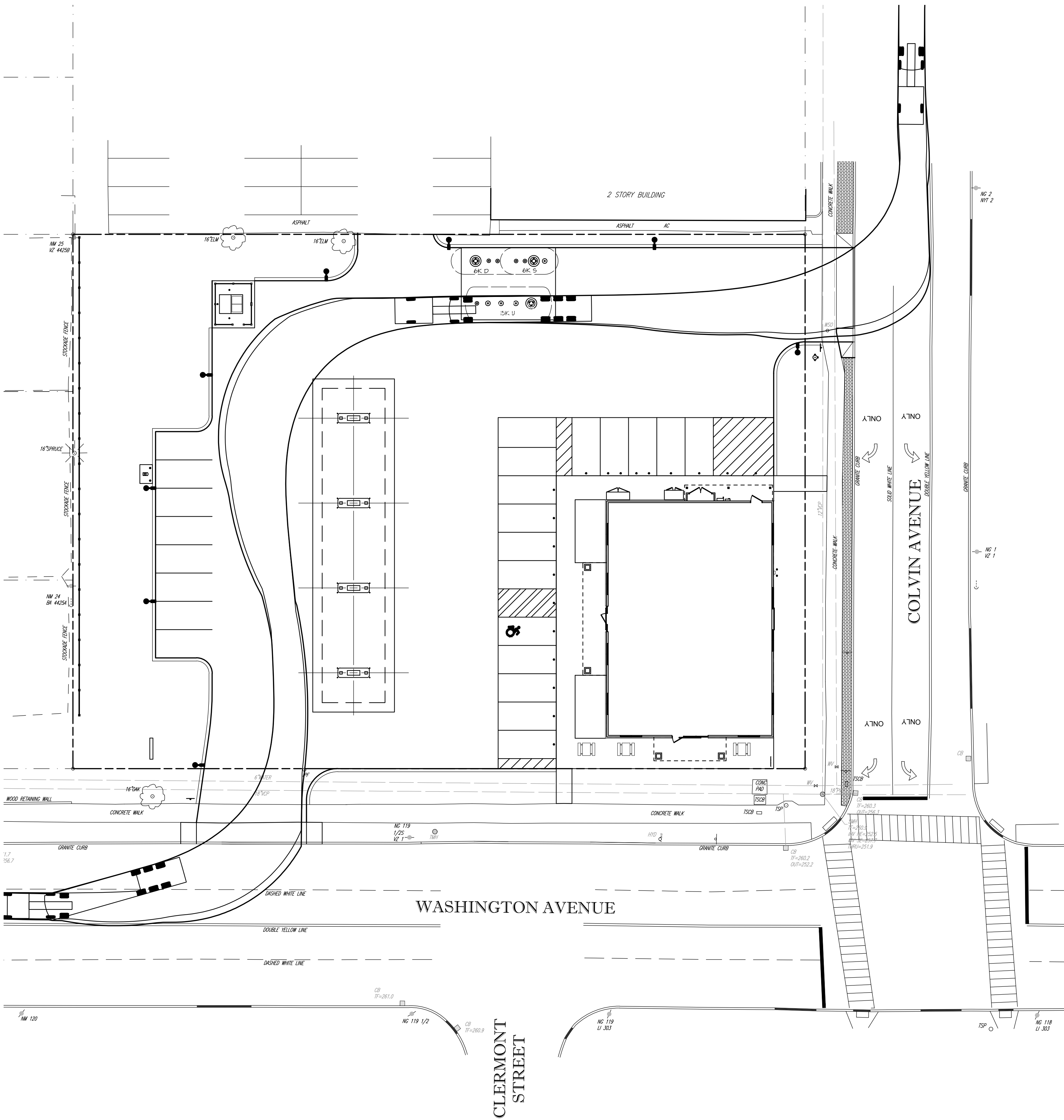
Calculation Summary					
Label	CalcType	Units	Avg	Max	Min
Extents of Light	Illuminance	Fc	0.13	31.7	0.0
Canopy	Illuminance	Fc	26.75	31.7	16.6
Parking Lot	Illuminance	Fc	3.46	12.3	0.2
Sidewalks/Entrance	Illuminance	Fc	4.33	11.6	6.2

Luminaire Schedule						
Symbol	Qty	Label	Arrangement	Description	Lum. Watts	Lum. Lumens
●	4	ARE-EDG-3M-DA-06-E-UL-BZ-100	SINGLE	POLE LIGHT, 60 WHITE LED, 700mA DRIVER, DIRECT ARM MOUNT	136.3	9196
●	4	ARE-EDG-3MB-DA-06-E-UL-BZ-100	SINGLE	POLE LIGHT, 60 WHITE LED, BACK SHIELDED, 700mA DRIVER, DIRECT ARM MOUNT	134	8891
□	8	CAN-304-PS-RS-06-E-UL-WH-525	SINGLE	CANOPY LIGHT, 60 WHITE LED, 525mA DRIVER, RECESSED MOUNT	100	10262
□	8	SEC-EDG-3M-WM-04-E-UL-WH-525	SINGLE	SECURITY LIGHT, 40 WHITE LED, 525mA DRIVER, WALL MOUNTED	68	5674
□	4	SFT-228-5M-RM-03-E-UL-WH-525	SINGLE	SOFFIT LIGHT, 30 WHITE LED, 525mA DRIVER, RECESSED MOUNT	54	4436

STORE NAME, ABBREVIATION & NO. COLVIN AVENUE - CLVA - 237		
SITE LOCATION 2 COLVIN AVENUE - ALBANY, NY		
DATE	NO.	REVISIONS
12/26/20	1	LAYOUT REVISED PER CITY STAFF COMMENTS
3/3/20	2	REVISED PER CITY COMMENTS
5/8/20	3	REVISED PER CITY COMMENTS
DRAWN BY: JR6		SCALE: 1"=20'
DATE: 12/24/19		DRAWING NO.
DRAWING NO. 5-4		TITLE:
TITLE: PHOTOMETRIC PLAN		

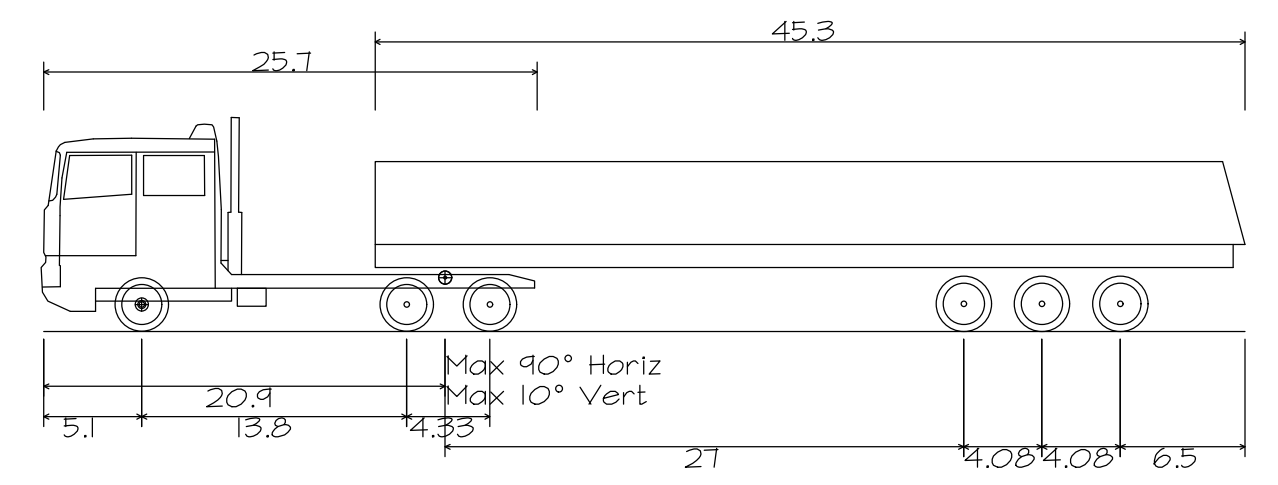
SARATOGA SPRINGS, NY 12866
TEL: (518)581-1200 FAX: (518)581-1209

ALTERATIONS TO THIS DOCUMENT BY OTHER THAN AN AUTHORIZED LICENSED PROFESSIONAL ENGINEER IS ILLEGAL AND A VIOLATION OF THE NEW YORK STATE EDUCATION LAW

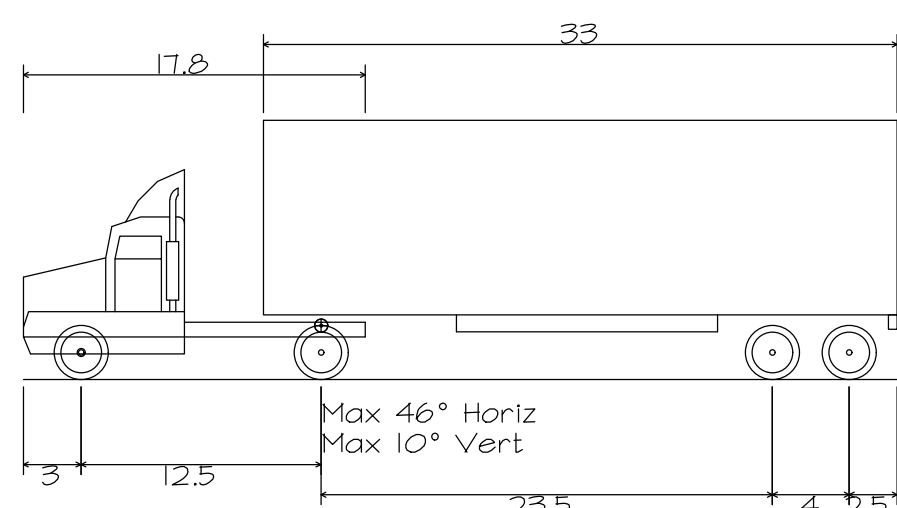


FUEL DELIVERY PLAN
SCALE: 1" = 20'

STORE DELIVERY PLAN
SCALE: 1" = 20'




Stewart's Tanker
 Overall Length 62.559ft
 Overall Width 8.202ft
 Overall Body Height 11.141ft
 Min Body Ground Clearance 1.049ft
 Max Track Width 8.202ft
 Lock-to-lock time 4.00s
 Curb to Curb Turning Radius 31.650ft



WB-40 - Intermediate Semi-Trailer
 Overall Length 45.499ft
 Overall Width 8.000ft
 Overall Body Height 13.500ft
 Min Body Ground Clearance 1.334ft
 Track Width 8.000ft
 Lock-to-lock time 4.00s
 Max Steering Angle (Virtual) 20.30°

45.499ft
 8.000ft
 13.500ft
 1.334ft
 8.000ft
 4.00s
 20.30°

STORE NAME, ABBREVIATION & NO.		COLVIN AVENUE - CLVA - 237	
SITE LOCATION		2 COLVIN AVENUE - ALBANY, NY	
DATE	NO.	REVISIONS	
10/26/20	1	LAYOUT REVISED PER CITY STAFF COMMENTS	
3/3/20	2	REVISED PER CITY COMMENTS	
5/8/20	3	REVISED PER CITY COMMENTS	
DRAWN BY: JR6			
SCALE: 1" = 20'			
DATE: 12/24/19		SARATOGA SPRINGS, NY 12866	
DRAWING NO. 5-5		TEL: (518)581-1200 FAX: (518)581-1209	
TITLE: TRUCK ROUTING PLAN		ALTERATIONS TO THIS DOCUMENT BY OTHER THAN AN AUTHORIZED LICENSED PROFESSIONAL ENGINEER IS ILLEGAL AND A VIOLATION OF THE NEW YORK STATE EDUCATION LAW	