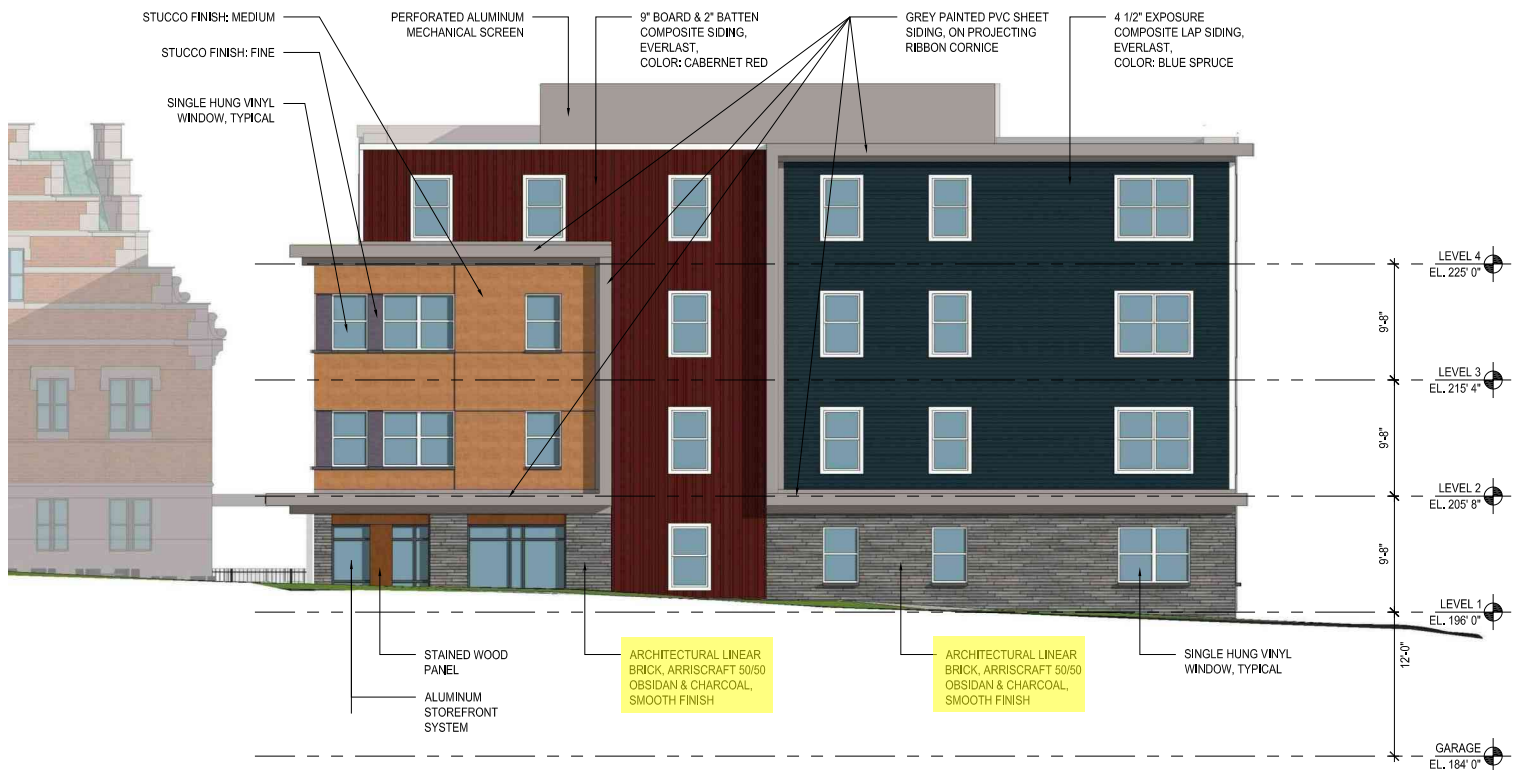


LINEAR BRICK



Extra-long brick offers
rugged elegance.



Architectural Linear Series Brick



800.265.8123 | arriscraft.com

 **Arriscraft**
Building Stone · Brick · Limestone



50% Charcoal color

50% Obsidian color



Charcoal



Midnight Grey



Obsidian



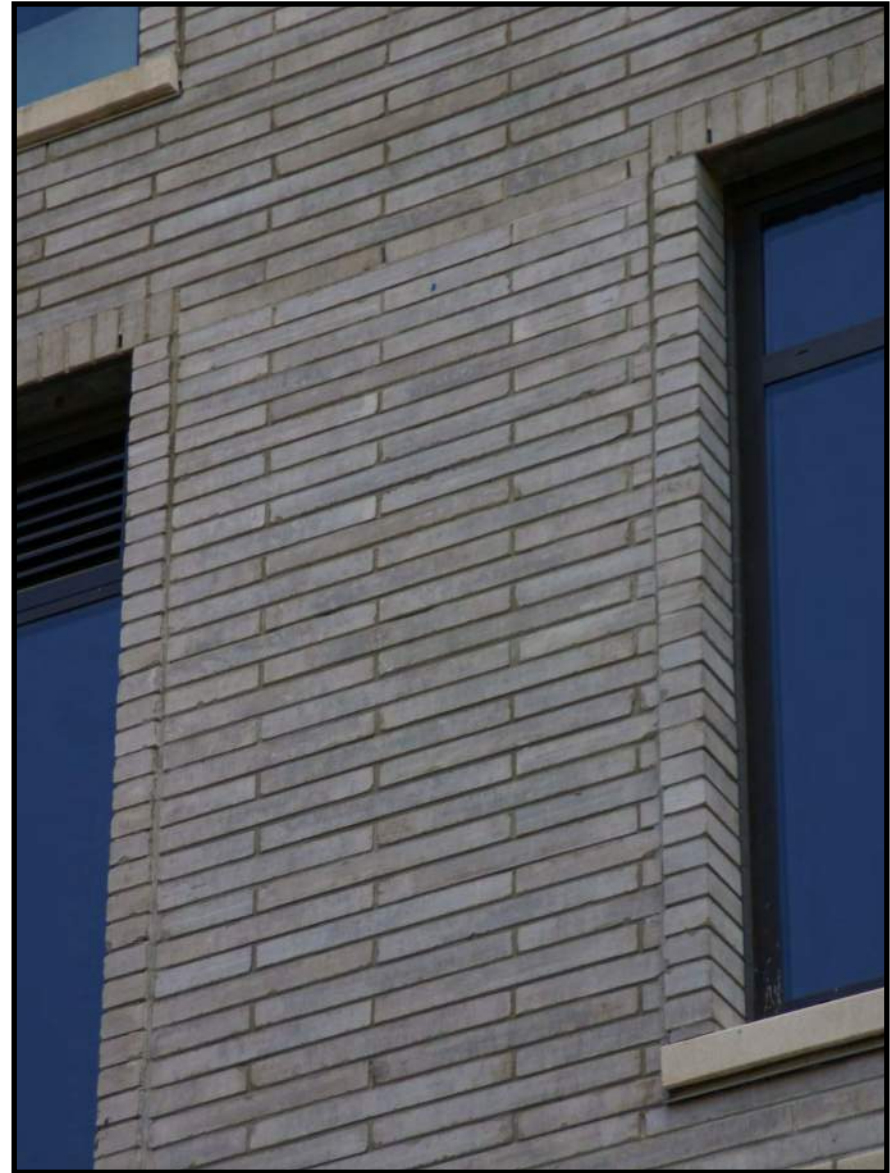
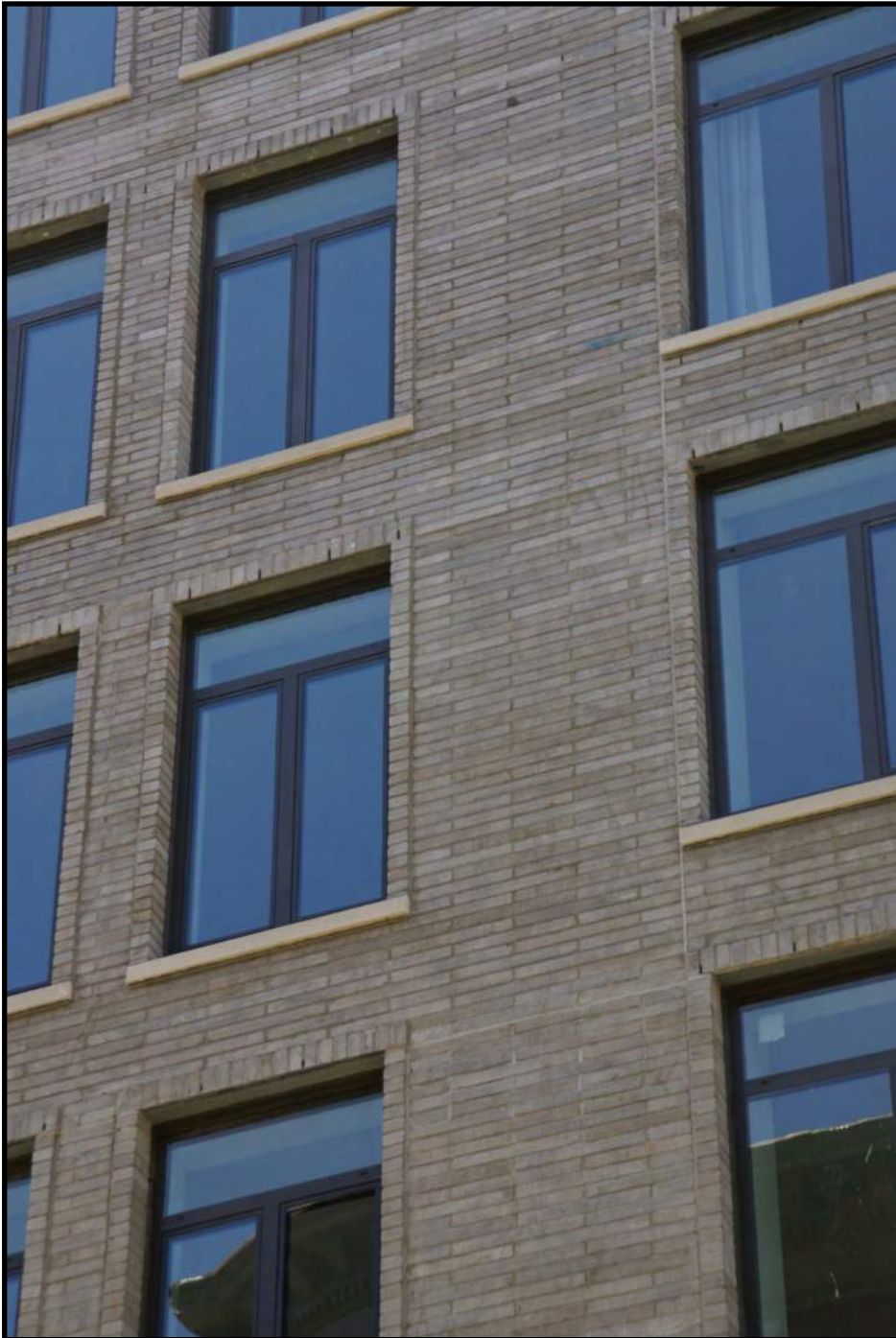
Opal

The samples shown have been washed after installation and so are slightly darker in color than unwashed stone.

This elongated brick delivers a unique rugged, yet modern look and offers efficient installation.

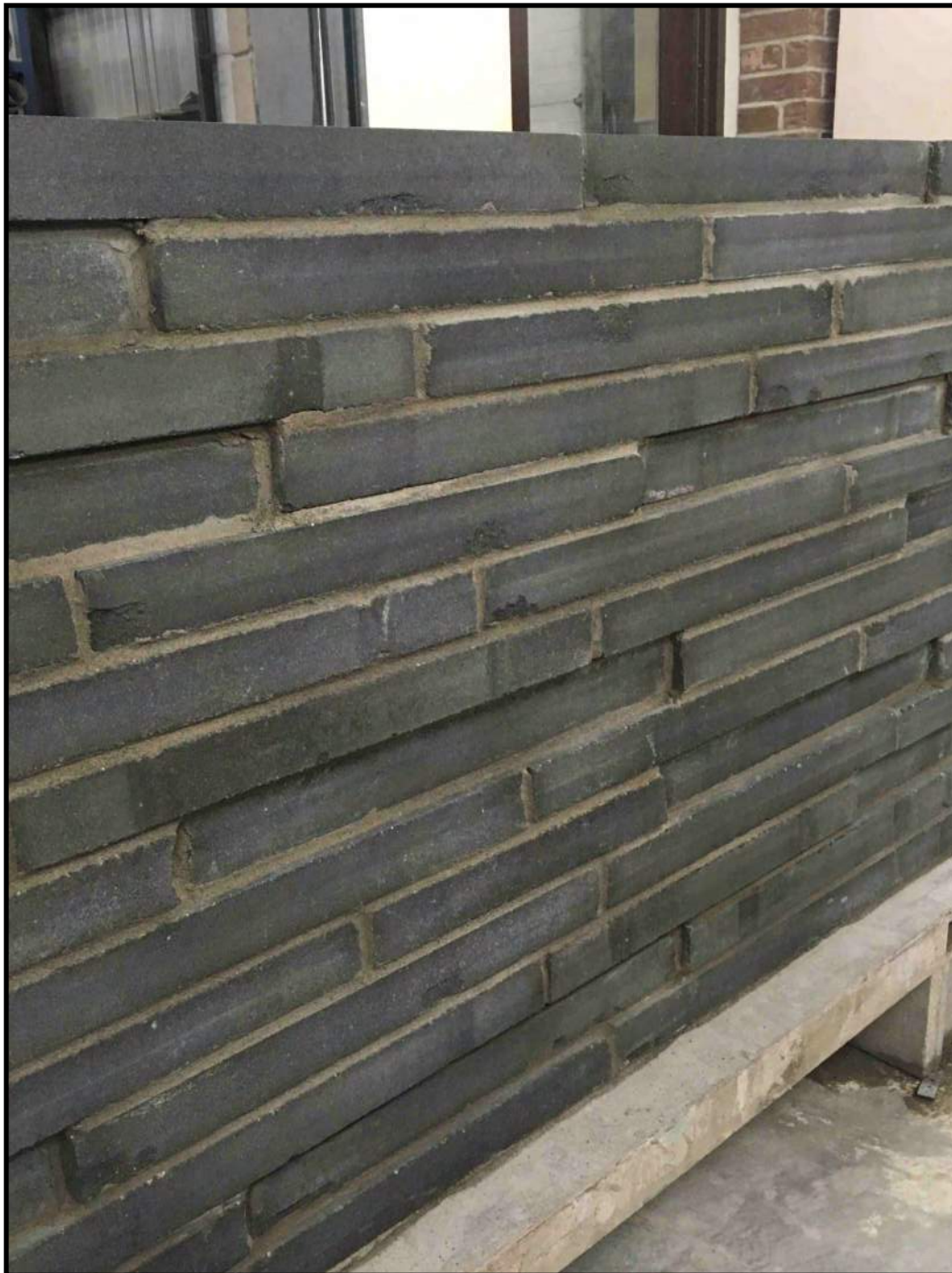
Our Architectural Linear Series brick comes in one size: 2-3/8" H x up to 23-5/8" L x 4-1/16" D (60 mm x up to 600 mm x 103 mm) and is offered in four stunning colours – Charcoal, Midnight Grey, Obsidian, and Opal.

Linear Series Brick - 10 Lenox Ave, Manhattan, NY

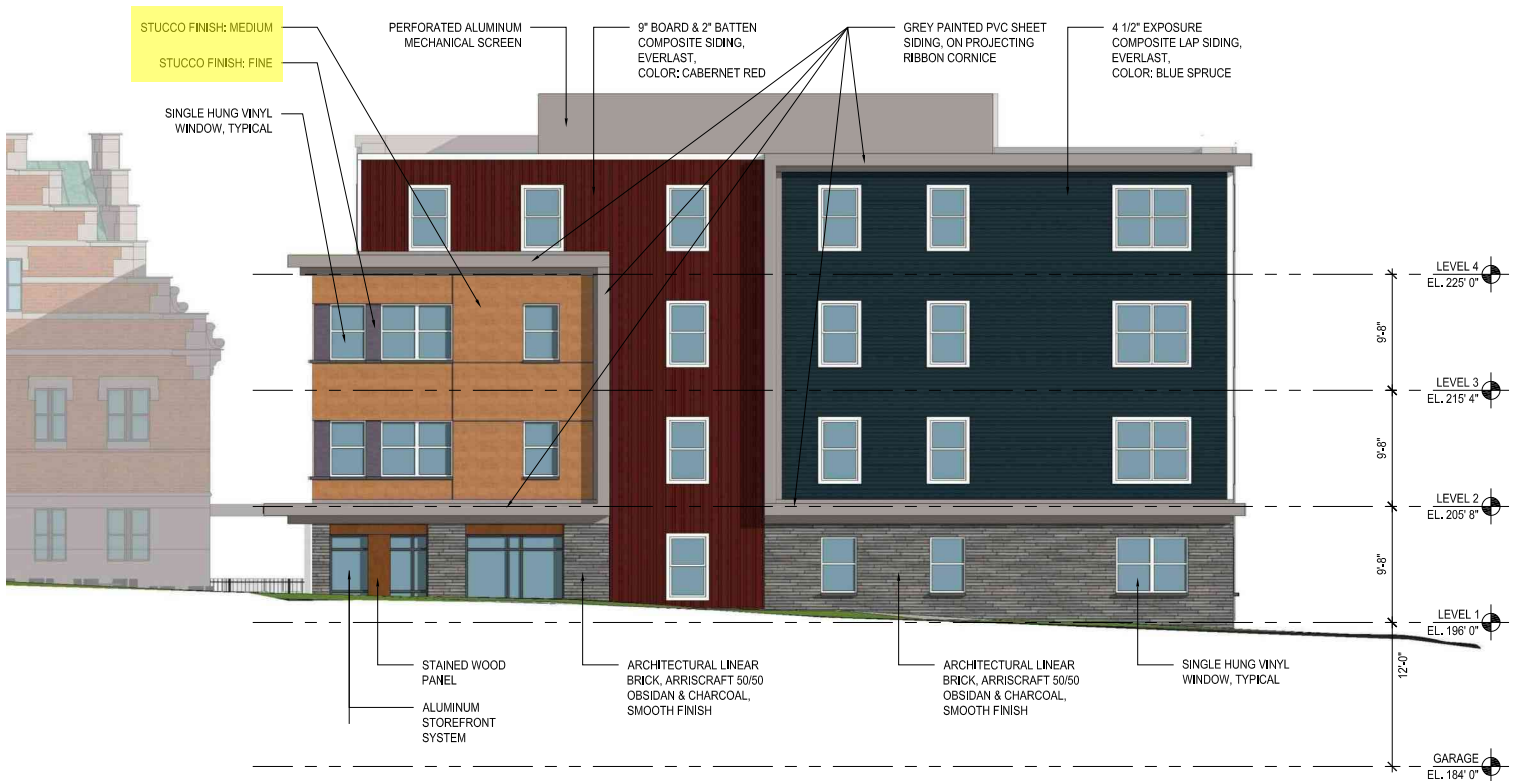


Linear Series - CHARCOAL
1/2 Bond installation

Linear Series Brick - Obsidian Smooth - Random recessed units 5/8"



STUCCO FINISH





Sto High Performance Coatings Applying the Art of Coatings

Sto High Performance Coatings

Sto delivers a full line of premium exterior coatings that create dramatic visual appeal and safeguard a building's value.

Sto coatings make buildings look great and last longer. Able to repel wind-driven rain, yet allow a building to breathe. Resistant to fading and buildup of dirt, mold and mildew for long-lasting beauty. And a variety of color and texture options give you a full array of design choices.

Portrait of a Great Coating

Sto architectural coatings bring a wealth of protective characteristics and aesthetic options to building design.

Sto coatings feature:

- **Self-cleaning properties** – With Lotus-*Effect*® technology the durable surface beads water and sheds dirt, keeping walls clean and dry.
- **Vapor permeable** – Allows a structure to breathe naturally so coatings are less likely to blister due to water vapor movement.
- **Low VOCs** – Safe to apply, environmentally friendly.
- **Crack bridging** – Elastomeric coatings have high elongation properties, remain intact over hairline cracks caused by thermal changes in the substrate and offer excellent hiding properties.
- **Weatherproof** – Resists wind-driven rain and absorption of water in direct contact with vertical surfaces, offers superior UV resistance and deters growth of mold and mildew.
- **Aesthetics** – Available in unlimited colors and textures to provide the greatest design options.
- **High bond strength** – Bonds solidly to the substrate, whether brick, concrete, cement or EIFS.
- **High CO₂ diffusion resistance** – Protects embedded steel in concrete structures from corrosion.



Which coating is right for you?

| Smooth Acrylic | Textured Acrylic | Lotus-Effect® Technology | Elastomeric | Silicone Enhanced |
|---|--|--|--|---|
|  |  |  |  |  |
| High solids content provides greater coverage and long-lasting durability. | Fine, medium and coarse textures create visual interest, hide imperfections and look new longer. | Patented self-cleaning properties keep walls cleaner, longer, with less maintenance. | Bridges over cracks and provides weatherproofing to resist freeze-thaw cycles. | Keeps walls clean and dry longer with increased resistance to algae and mold growth. Also increases vapor permeability. |

Select the appropriate Sto Primer

Sto Primers can be used for priming prepared concrete, masonry, plaster, EIFS base coats or drywall surfaces. Available in both sanded and smooth textures, Sto primers promote uniform substrate absorption and can help maintain proper dry film thickness. In many instances, they can also lower your overall costs by extending topcoat coverage. Sto has a number of specifically formulated primers available:

StoPrime™ Hot – Smooth acrylic primer designed to bond to masonry substrates with a pH up to 13.

StoPrime™ Sand – Standard primer for enhancing the bond of coatings to the substrate while improving coverage.

StoPrime™ – Smooth primer designed for use over concrete block and other masonry substrates.

Fine Texture at Charcoal

Medium Texture at Orange

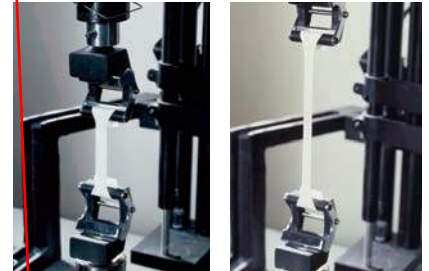
StoColor™ Lotusan®

A smooth coating with pronounced self-cleaning properties, just one application of StoCoat Lotusan provides long-lasting protection for exterior walls.



StoColor Silcolastic

StoColor Silcolastic decorative elastomeric coating bridges over hairline cracks in the underlying substrate, and the silicone increases weather resistance and vapor permeability.



Sto Coatings Texture Options



Sto High Performance Coatings Overview

| Property | StoColor™ Coat | StoColor™ Coat Sand | StoColor™ Acryl Flat | StoColor™ Acryl Plus | StoColor™ Lotusan® | StoColor™ Texture Fine | StoColor™ Texture Medium | StoColor™ Texture Coarse | StoColor™ Lastic Sand | StoColor™ Lastic Smooth | StoColor™ Silcolastic |
|--------------------------------------|----------------|---------------------|----------------------|----------------------|--------------------|------------------------|--------------------------|--------------------------|-----------------------|-------------------------|-----------------------|
| Item Number | 80202 | 80230 | 80201 | 80648 | 80216 | 80657 | 80659 | 80658 | 80211 | 80212 | 80222 |
| Texture | Smooth | Sand | Smooth | Smooth | Smooth | Fine | Medium | Coarse | Sand | Smooth | Smooth |
| Acrylic | ☐ | ☐ | ☐ | ☐ | ☐ | ☐ | ☐ | ☐ | | | |
| Elastomeric (crack bridging) | | | | | | | | | ☐ | ☐ | ☐ |
| Vapor Permeable | ☐ | ☐ | ☐ | ☐ | ☐ | ☐ | ☐ | ☐ | ☐ | ☐ | ☐ |
| Lotus-Effect® Technology* | | | | | ☐ | | | | | | |
| Silicone Enhanced | | | | | | | | | | | ☐ |
| Low VOCs (<50g/L) | ☐ | ☐ | ☐ | ☐ | ☐ | ☐ | ☐ | ☐ | ☐ | ☐ | ☐ |
| Exterior | ☐ | ☐ | ☐ | ☐ | ☐ | ☐ | ☐ | ☐ | ☐ | ☐ | ☐ |
| Interior | ☐ | ☐ | ☐ | | | ☐ | ☐ | ☐ | | | |
| Solids Content | ☐ | ☐ | ☐ | ☐ | ☐ | ☐ | ☐ | ☐ | ☐ | ☐ | ☐ |
| Fade Resistance | ☐ | ☐ | ☐ | ☐ | ☐ | ☐ | ☐ | ☐ | ☐ | ☐ | ☐ |
| CO ₂ Diffusion Resistance | | | ☐ | ☐ | | ☐ | ☐ | ☐ | ☐ | ☐ | ☐ |
| Warranty | ☐ | ☐/☐ | ☐/☐ | ☐ | ☐ | ☐/☐ | ☐/☐ | ☐/☐ | ☐ | ☐ | ☐ |

Legend ☐ Applies ☐ Good ☐ Better ☐ Best * Self-Cleaning Properties

Smart and Sustainable

Our impact on performance is big, but our impact on the environment is small. All Sto coatings are vapor permeable, easy to apply, safe and nontoxic, and have low VOCs. We incorporate sustainable practices throughout our operations, earning us ISO 14001 certification for our environmental management system. Many of our products help reduce the environmental impact of construction by reducing maintenance requirements and extending the building façade's lifecycle.



Sto Studio

Sto Studio is a unique visual service that facilitates design and color decisions. With Sto Studio's full-color, professional-grade renderings, you can see your building as it would look in different design scenarios. This gives you confidence in your choices, leaving you more satisfied with the outcome. To find out more, call 1-800-221-2397 or email stostudio@stocorp.com.

Support

Our experienced sales force and industry-leading technical services department are ready to support you. We'll ensure the proper application and most up-to-date techniques are used to create a project with outstanding curb appeal.

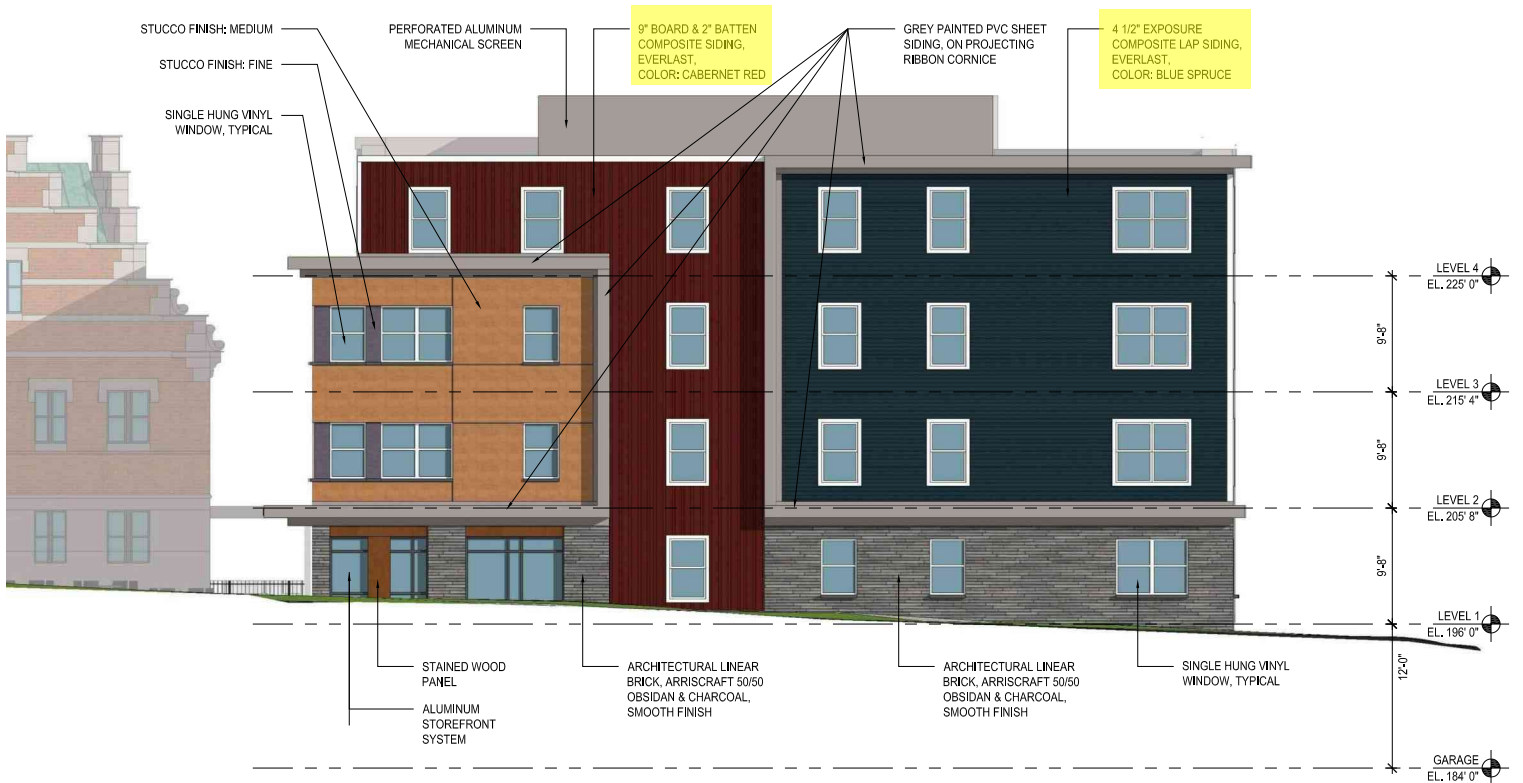
Sto Corp.

3800 Camp Creek Parkway
 Building 1400, Suite 120
 Atlanta, GA 30331
 Phone 404-346-3666
 Toll Free 1-800-221-2397
 Fax 404-346-3119
www.stocorp.com

ATTENTION

Sto products are intended for use by qualified professional contractors, not consumers, as a component of a larger construction assembly as specified by a qualified design professional, general contractor or builder. They should be installed in accordance with those specifications and Sto's instructions. Sto Corp. disclaims all, and assumes no, liability for on-site inspections, for its products applied improperly, or by unqualified persons or entities, or as part of an improperly designed or constructed building, for the nonperformance of adjacent building components or assemblies, or for other construction activities beyond Sto's control. Improper use of Sto products or use as part of an improperly designed or constructed larger assembly or building may result in serious damage to this product, and to the structure of the building or its components. **STO CORP. DISCLAIMS ALL WARRANTIES EXPRESS OR IMPLIED EXCEPT FOR EXPLICIT LIMITED WRITTEN WARRANTIES ISSUED TO AND ACCEPTED BY BUILDING OWNERS IN ACCORDANCE WITH STO'S WARRANTY PROGRAMS, WHICH ARE SUBJECT TO CHANGE FROM TIME TO TIME.** For the fullest, most current information on proper application, clean-up, mixing and other specifications and warranties, cautions and disclaimers, please refer to the Sto Corp. website, www.stocorp.com.

COMPOSITE SIDING



Make A
Lasting Impression



EVERLAST®

Advanced Composite Siding

Everlast® Lap Siding
Everlast® Board & Batten Siding
Harbor Blue

REFER TO
ELEVATIONS FOR
COLOR LOCATIONS

COLORS

Harbor Blue

Blue Spruce

Willow

Spanish Moss

Antique Ivory

Sand Dune

Misty Taupe

Chestnut

Saddle Wood

Seaside Grey

Slate

Flagstone

Storm Grey

Cabernet Red

Natural White

EVERLAST LAP SIDING

Timeless Clapboard-Style Appeal

Traditional clapboard siding has never gone out of style. Available in two widths to accommodate regional and personal preferences, your home will reflect classic style, luxury, and comfort decade after decade. Choose Everlast Lap Siding exclusively, or combine with Everlast Board & Batten.

Color Palette

The Everlast Lap Siding palette* – including deep, rich hues – has been thoughtfully curated by color consultants to complement any style of home, regional preference, as well as both current and classic color trends.

NOTE: Colors may not be exactly as shown due to printing limitations.

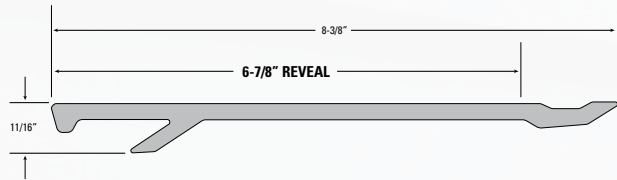
Consult a product sample before final selection.

* Please contact your Everlast dealer for product availability.

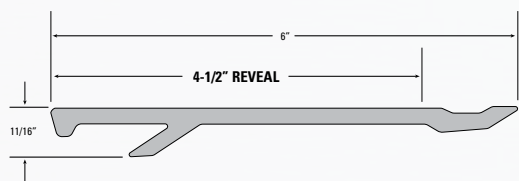
LAP SIDING

TWO WIDTHS AVAILABLE FOR YOUR IDEAL HOME

Standard Lap Siding



Narrow Lap Siding



BOTH USED ON BUILDING REFER TO ELEVATIONS FOR LOCATIONS

Engineered to Withstand High Winds and to Help Ensure Installation Perfection



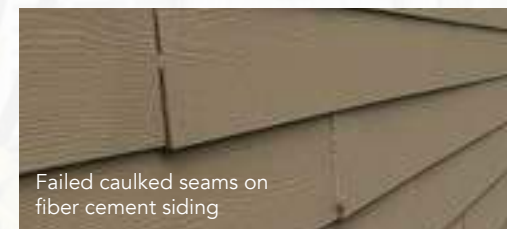
Everlast Lap Siding's EZStack interlocking jointery prevents siding from rattling in high wind conditions, while enhancing the siding's ability to withstand high wind forces, ensuring that your siding remains firmly affixed. EZStack jointery also assists installers by helping to ensure that your siding is perfectly level and spaced for optimal aesthetics.

Enjoy the Tightest, Most Discreet Seams on the Market

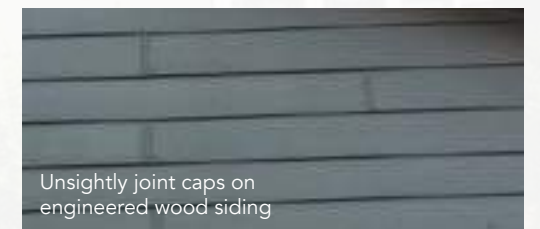


Each Everlast Lap Siding plank-to-plank seam is reinforced with a stainless steel bracket to produce the strongest, longest lasting, and best looking seams on the market. Even better, no caulking or flashing at seams is ever required.

With fiber cement and engineered wood, thermal expansion and contraction causes siding seams to open and close throughout the year. Caulking these seams only provides a temporary fix. And unsightly joint caps are no solution.

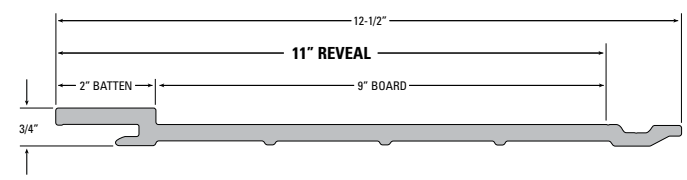


Failed caulked seams on fiber cement siding



Unsightly joint caps on engineered wood siding

Everlast® Board & Batten Siding
Everlast® Lap Siding
Chestnut



Efficient One-Piece Design

Unlike other board and batten siding products that require two pieces – both a board and a batten – Everlast Board & Batten combines these two pieces into one to eliminate unsightly fasteners and to help ensure top quality installation.

EVERLAST BOARD & BATTEN SIDING

Contemporary Rustic Charm

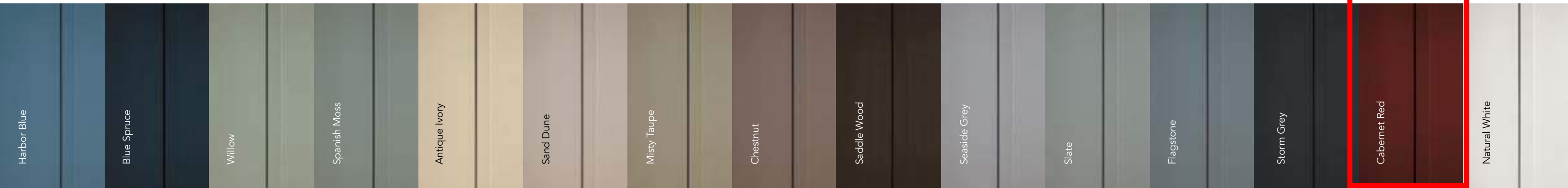
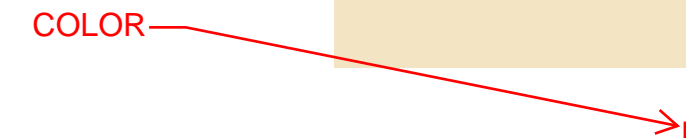
Choose Everlast Board & Batten to give your home rustic, yet highly contemporary, appeal. Use Everlast Board & Batten exclusively, or combine with Everlast Lap Siding.

Color Palette

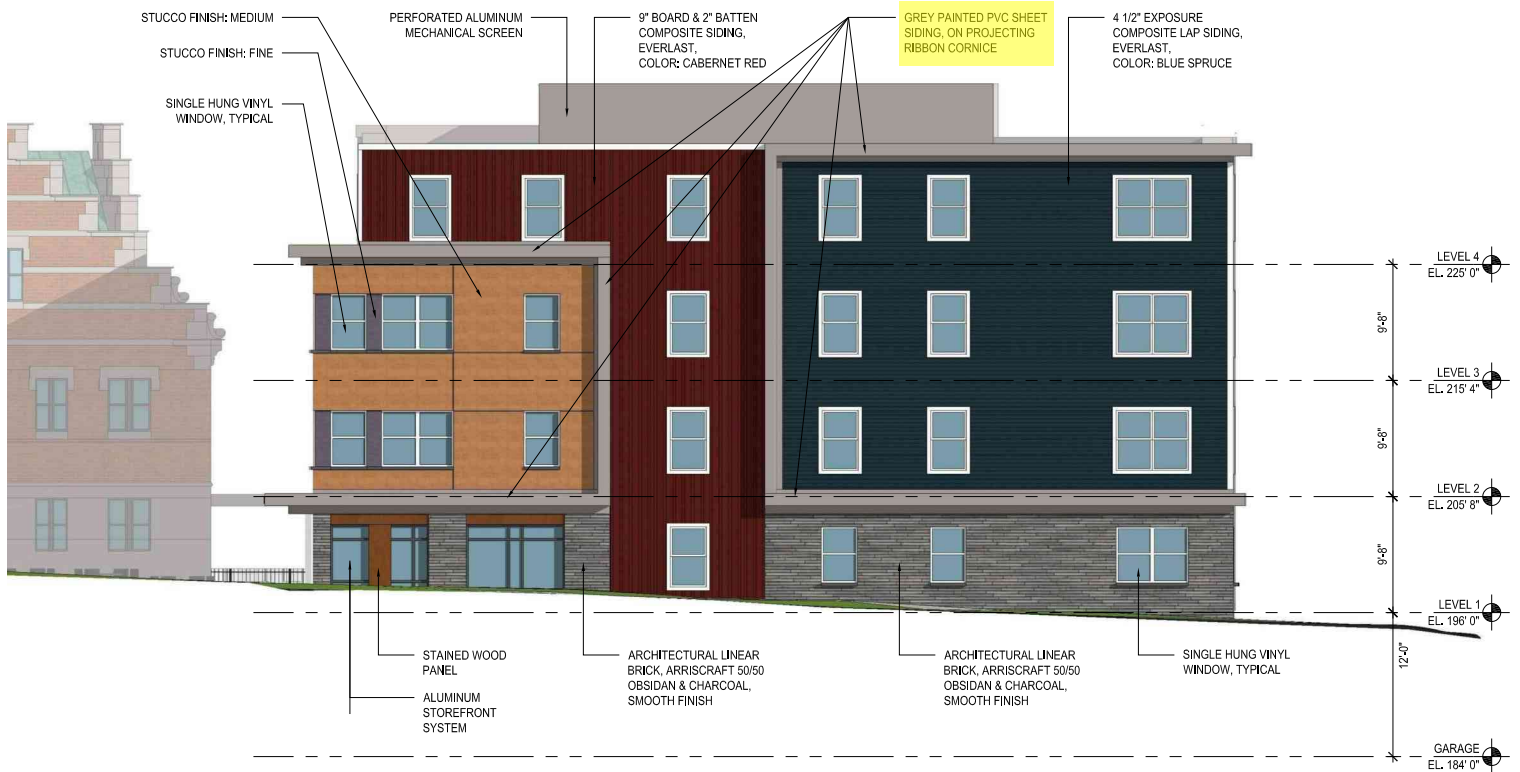
The Everlast Board & Batten palette* features the same hues as Everlast Lap Siding and complements any style of home, regional preference, as well as both current and classic color trends.

NOTE: Colors may not be exactly as shown due to printing limitations. Consult a product sample before final selection.

* Please contact your Everlast dealer for product availability.



PAINTED PVC SHEET SIDING





AZEK® Sheet
 Traditional, Frontier and PaintPro
 Applications over 16" wide are easy with AZEK Sheet.
 Use them for bay windows, dormers, and raised panels.

AZEK to Mill (ATM)

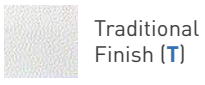
ATM's thick profile makes it an ideal material for fabrication. Its consistent density offers a superior product for milling operations.

| SHEET | 8' | 10' | 12' | 18' | 20' |
|------------|-----|-----|-----|-----|-----|
| 3/8" x 4'* | TF | TF | T | T | |
| 1/2" x 4'* | TF | TF | T | T | |
| 5/8" x 4' | T | T | T | T | |
| 3/4" x 4' | TFP | TFP | T | T | |
| 1" x 4' | T | T | T | T | T |

| AZEK TO MILL | 8' | 10' | 12' | 18' | 20' |
|-----------------|----|-----|-----|-----|-----|
| 1 1/4" x 9 1/4" | | | | T | |
| 1 1/4" x 48" | T | | | | |
| 1 1/2" x 48" | T | T | T | | T |

* 3/8" and 1/2" sheets are not intended to be cut into trim pieces. These profiles must be glued to a substrate and mechanically fastened. Contact an AZEK Sales Rep with questions.

T-Traditional, Classic AZEK Trim: Both Sides Smooth
F-Frontier, Classic AZEK Trim: Reversible, Smooth & Woodgrain
P-PaintPro Technology AZEK: Reversible, Smooth & Woodgrain



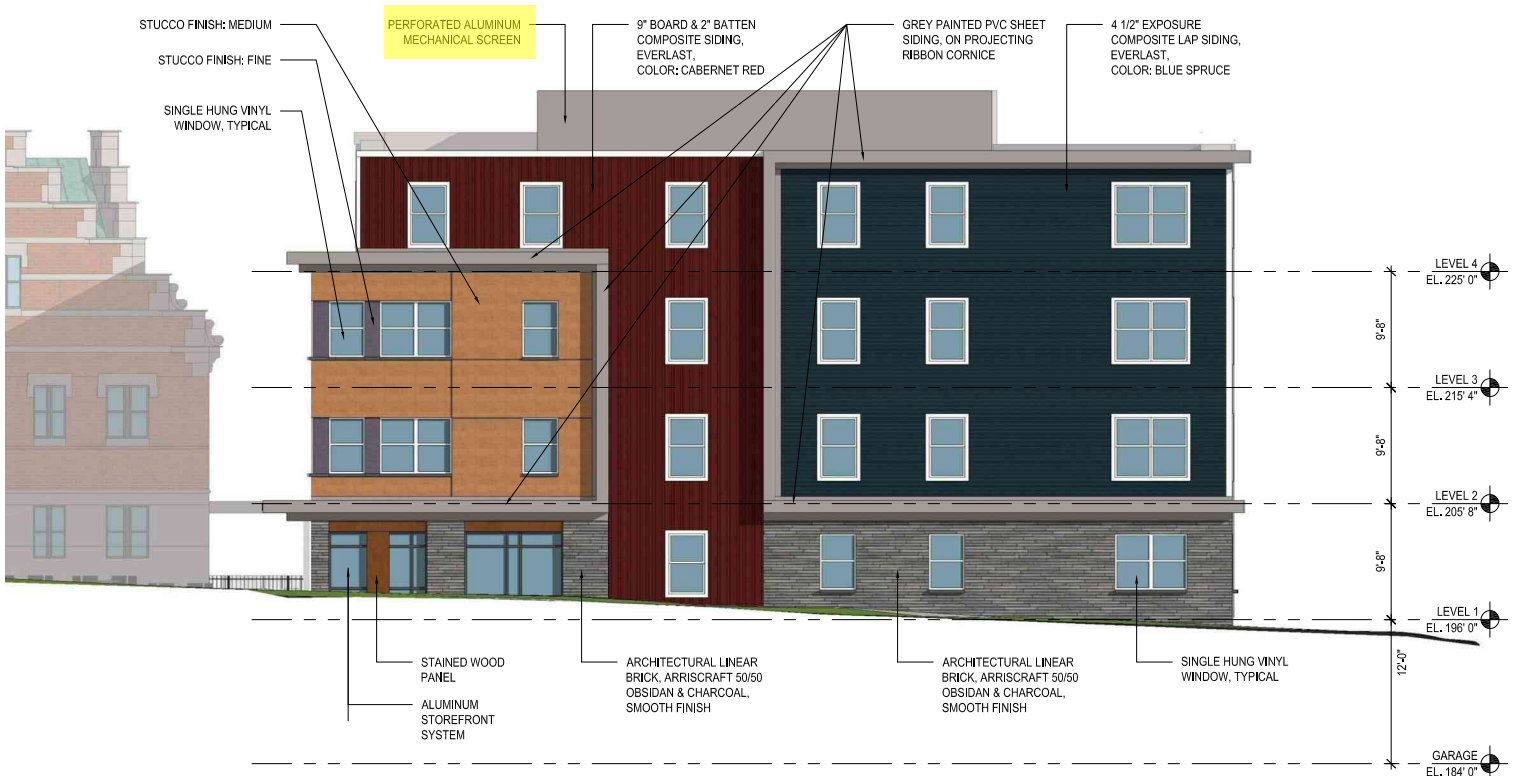
ATM comes in a thicker profile to allow milling and routing while maintaining strength.

INDUSTRY LEADING WARRANTIES

With decades in the business partnered with dedicated investments to research and development, AZEK makes it our mission to provide the best materials on the market. We guarantee the integrity of our trim and moulding with a lifetime limited warranty that covers rotting, splitting, splintering, peeling and warping. It is also easy to maintain and resistant to mold, mildew and moisture damage. For more information, visit AZEKexteriors.com/warranty.



ALUMINUM MECHANICAL SCREEN



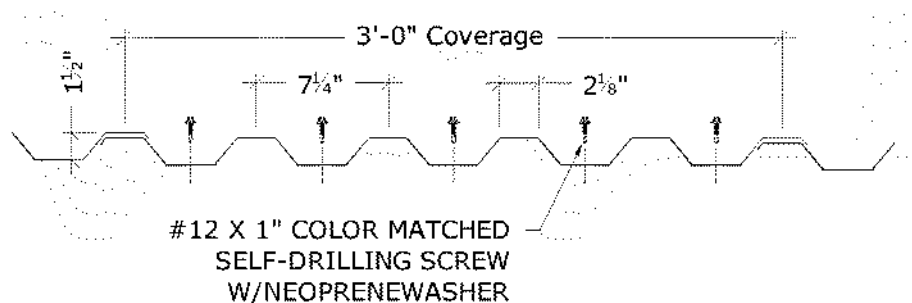
7.2 Rib Panel
Updated 03.10.2016

www.roofscreen.com

7.2 Rib Panel

Due to its 1 ½" deep profile, the 7.2 Rib Panel has excellent spanning capabilities, making it an economical choice with a high strength to cost ratio.

- Material: 24ga steel standard, other gauges may be available.
- Length: Up to 30'. Extra charges may apply for lengths shorter than 4'.
- Attachment: Exposed fasteners, color matched to panel.
- Finish: Factory applied Kynar.
- Colors: Choose from standard color chart.
- Warranty: 20 years.
- Installation: Orient vertically or horizontally. Color matched exposed fasteners.



GARAGE DOOR



RYTEC

HIGH PERFORMANCE DOORS

32420

SPIRAL[®]

HIGH PERFORMANCE RIGID ROLLING DOOR



Shown with optional vision slats

SPIRAL[®]

High Security, High Speed and Architectural Style - All in One Door

The Spiral door offers high-speed operation for high-traffic situations and rigid aluminum slat construction that eliminates the need for a second security door. Crisp lines give the Spiral door a stylish look that's great for many types of commercial, automotive retail, government, institutional and industrial applications.

The exclusive, patented Spiral design provides ideal performance for automotive dealerships, government, and municipal facilities, parking and security-related installations.

Spiral high performance is guaranteed with a **5-year limited warranty**.



Shown with optional vision slat

Solid Security

- Minimum 1 3/16-inch thick double walled aluminum slats
- Integral rubber weatherseal
- Continuous heavy-duty hinge system

High Speed

- Opening speed of up to 60 inches per second improves traffic flow in fast-paced environments

Ultra Quiet

- Spiral track design features no metal-to-metal contact for remarkably quiet operation

Unparalleled Performance

- Variable speed AC drive system, with soft acceleration and deceleration - smooths out routine stops and starts

Energy Efficient and Tight Seal

- Aluminum slats and durable rubber membrane provide a 100% seal against dust, drafts and inclement weather

QUALITY. PERFORMANCE. RELIABILITY.

RYTECDOORS.COM

SPIRAL[®]

HIGH PERFORMANCE RIGID ROLLING DOOR



Size/Dimensions

- Maximum width up to 26'3"
- Maximum height up to 22'11"

Travel Speed

- Opening speed up to 60 inches per second

Spiral Technology

- Unique, patented design creates no metal-to-metal contact, resulting in less wear and tear on the panel
- Ultra quiet and low maintenance operation
- Utilizes AC drive motor with variable speeds to allow for soft acceleration and deceleration



AC drive motor

Architectural Styling

- Sleek double walled aluminum slats are 6 inches high with an integral weatherseal between each panel
- Durable 'Rytec silver' powder coated finish* is UV-stable and resists rust, corrosion and fingerprints



Six-inch high slats shown

Electrical Controls

- System 4[®] controller housed in a NEMA 4X rated enclosure with factory set parameters
- Intelligent processor monitors and controls power consumption during operation
- Advanced self-diagnostics for troubleshooting



System 4 shown with optional rotary disconnect

Standard maximum sizes shown; larger sizes may be available upon request.

Panel Design

- Integral rubber weatherseal between the slats provides a tight weatherseal across the entire panel
- Patented hinge design allows for removal and replacement of individual slats without disassembling the door panel



Integral rubber weatherseal

Safety is Standard

- Advanced³ Light Curtain Safety System
- Pathwatch[®] Safety Light System
- Electric reversing edge
- Ry-Wi[®] Wireless System
- Mechanical brake release lever allows door opening in the event of power failure



Pathwatch warning lights and brake release lever shown

Warranty

- Five-year limited warranty on motor/mechanical components and materials
- Two-year limited warranty on electrical components



Options

- Pre-wired premium package
- Insulated, ventilated or vision slats
- Hood and motor covers
- Dual thru-beam photo eyes
- Powder coated finish also available in RAL classic colors or custom match
- Multiple door activation options available; contact factory for details



Optional vision slats shown

*Side columns and head console; excludes US/R models.

American Owned, American Made



◀ Watch All Rytec Testimonials

Specifications subject to change
© 2020 Rytec Corporation LIT020520

RytecDoors.com
888-GO-RYTEC

info@rytecdoors.com
P: 262.677.9046 F: 262.677.2058
One Cedar Parkway, PO Box 403
Jackson, WI 53037-0403



RETAINING WALL



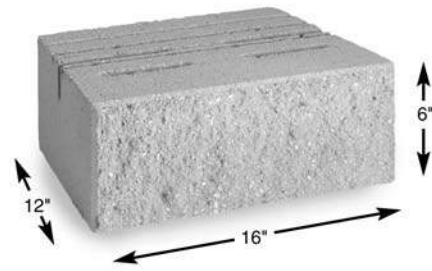
Introduction & Unit Specifications

VERSA-LOK STANDARD UNITS

(Actual unit size and weight may vary slightly by region.)

Standard units are made from high-strength, low-absorption concrete on concrete block machines. The Standard units' solid characteristics make them resistant to damage before, during and after construction in all climates, including shoreline applications.

| | | |
|-----------------------|--------------------------|--------------------------|
| Height: | 6 inches | 152.4 mm |
| Width (face): | 16 inches | 406.4 mm |
| Width (rear): | 14 inches | 355.6 mm |
| Depth: | 12 inches | 304.8 mm |
| Face Area: | 2/3 ft ² | 0.062 m ² |
| Volume: | .63 ft ³ | 0.018 m ³ |
| Weight: | 82 lbs. | 37.19 kg |
| Wgt/Face Area: | 123 lbs./ft ² | 599.84 kg/m ² |



Solid VERSA-LOK Standard units provide superior durability and construction stability.

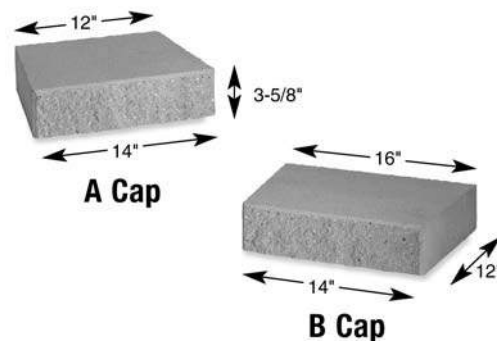
VERSA-TUFF® PIN

| | | |
|------------------|------------------------|----------|
| Length: | 6.8 inches | 172.7 mm |
| Diameter: | .48 inches | 12.2 mm |
| Material: | Glass-Reinforced Nylon | |



VERSA-LOK CAP UNITS

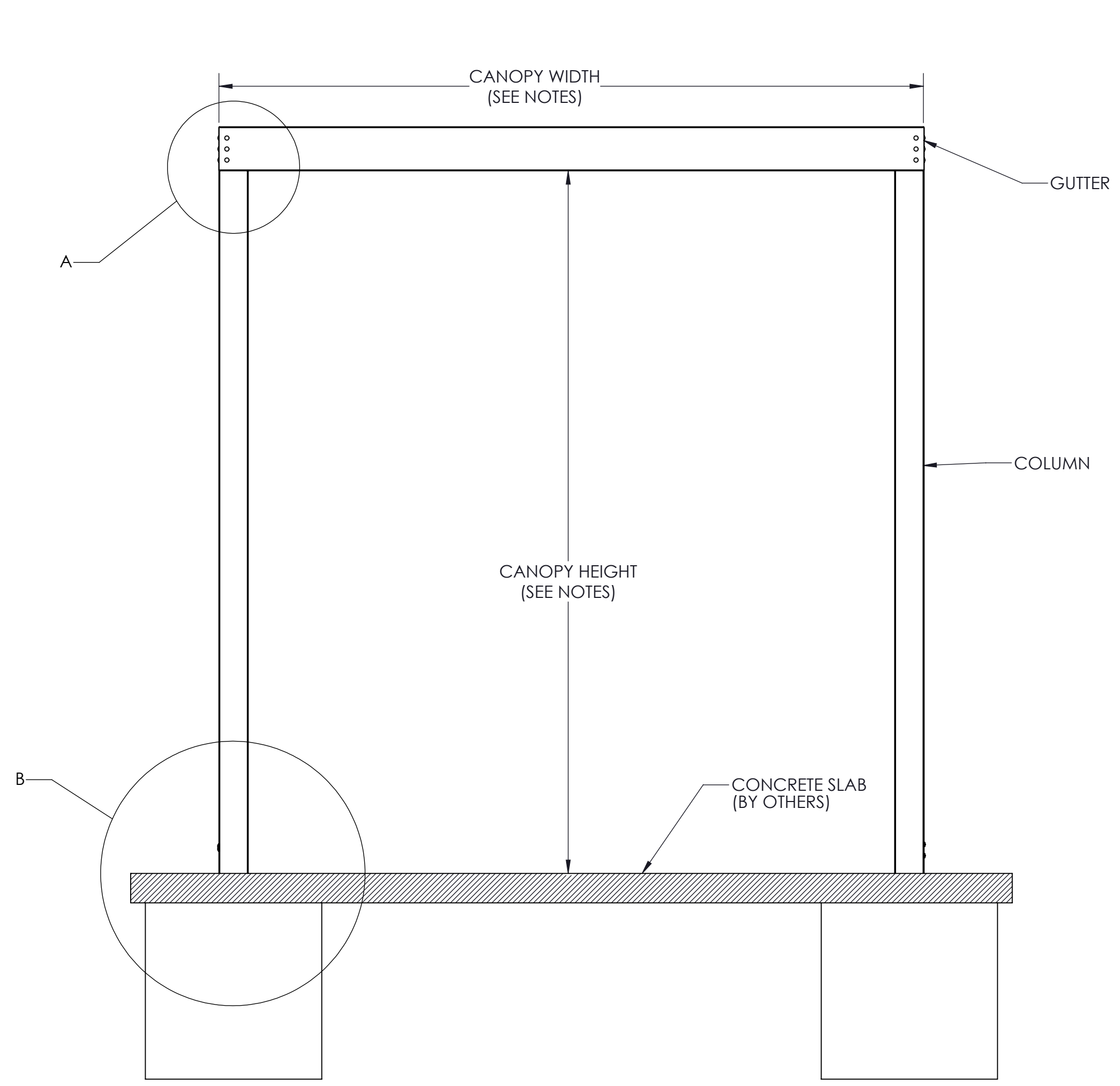
| | | |
|----------------------------|--------------|----------|
| Height: | 3-5/8 inches | 92.1 mm |
| Width (face): | 14 inches | 355.6 mm |
| Width (rear): A Cap | 12 inches | 304.8 mm |
| B Cap | 16 inches | 406.4 mm |
| Depth: | 12 inches | 304.8 mm |
| Weight: A Cap | 40 lbs. | 18.14 kg |
| B Cap | 50 lbs. | 22.68 kg |



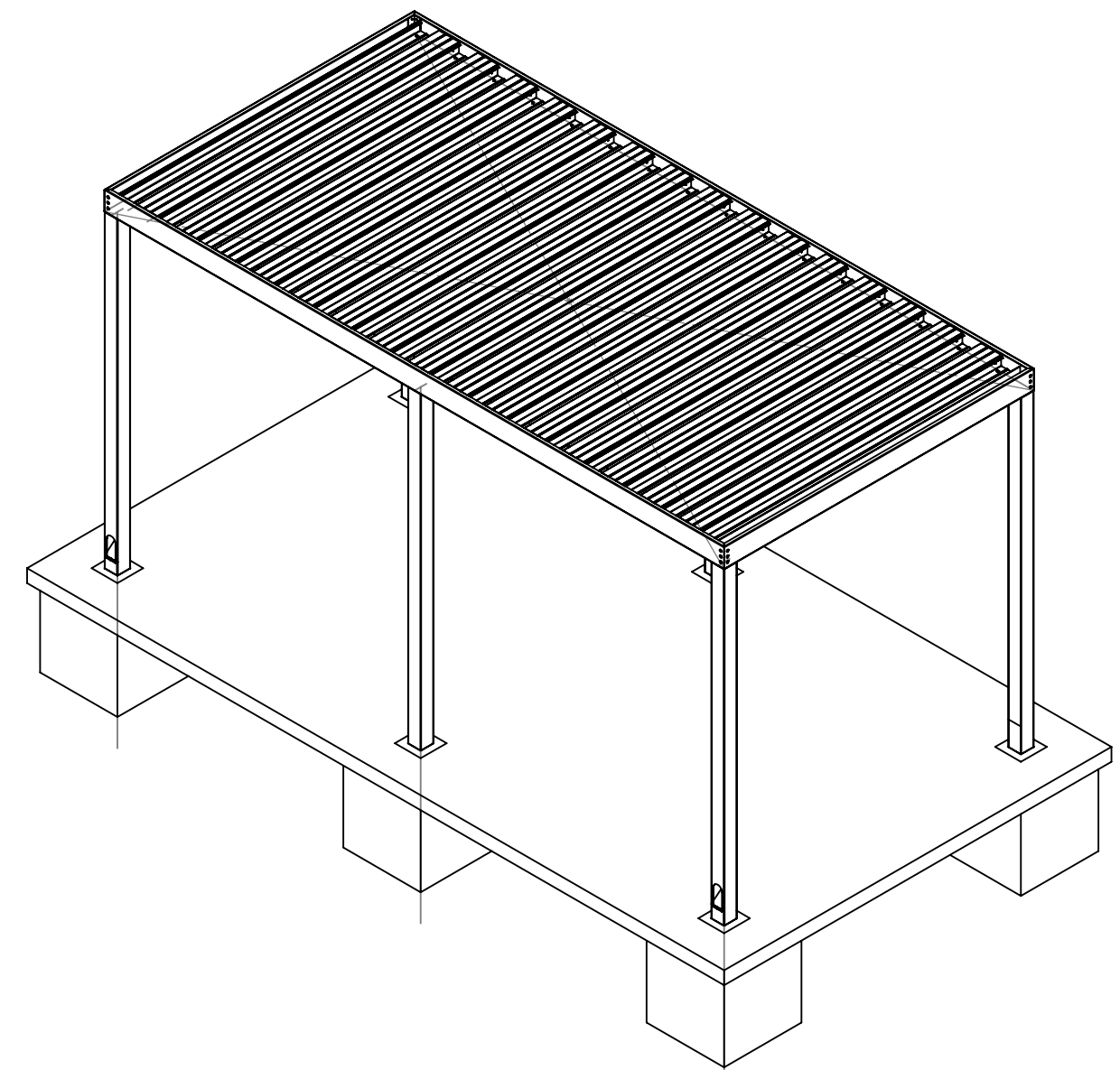
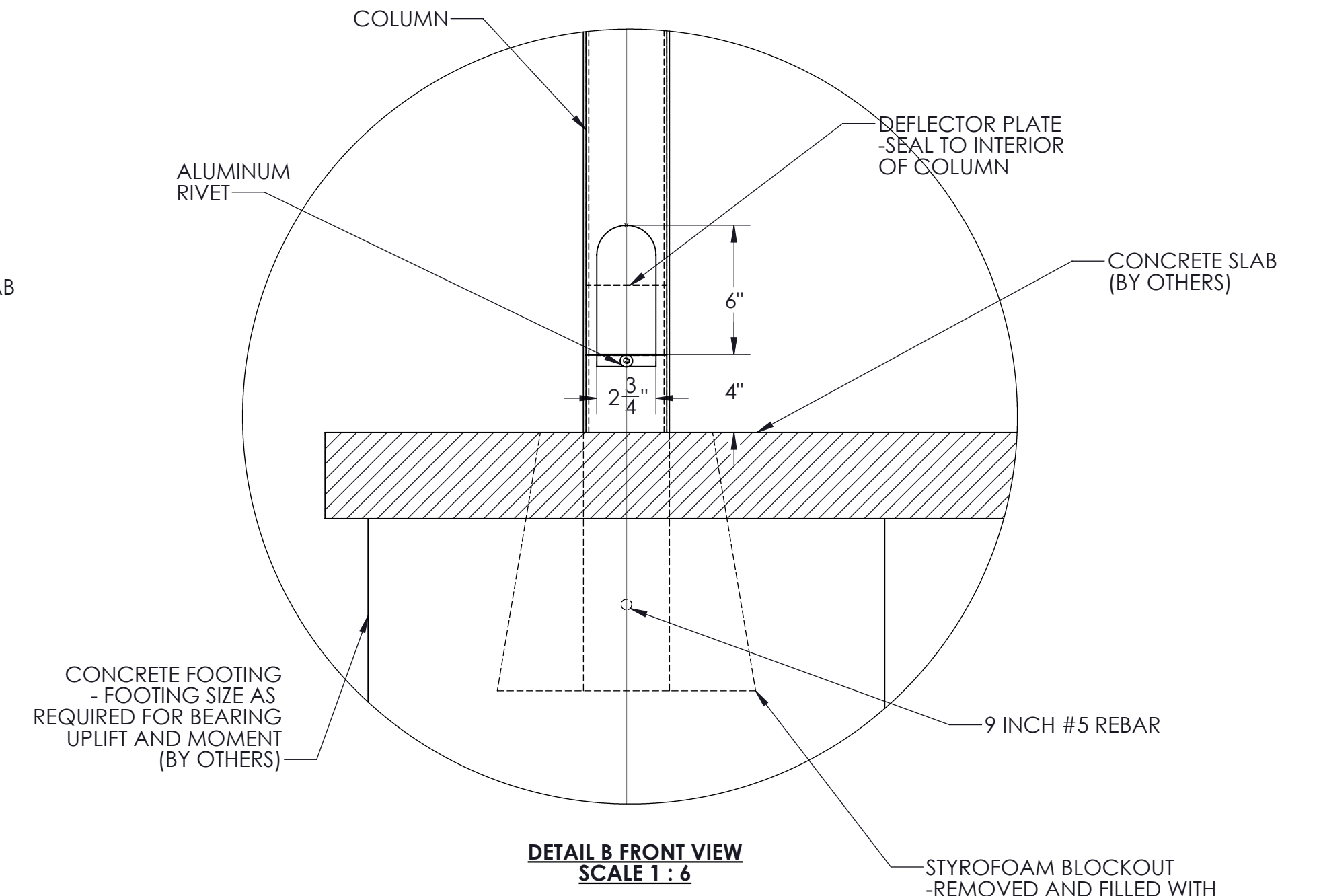
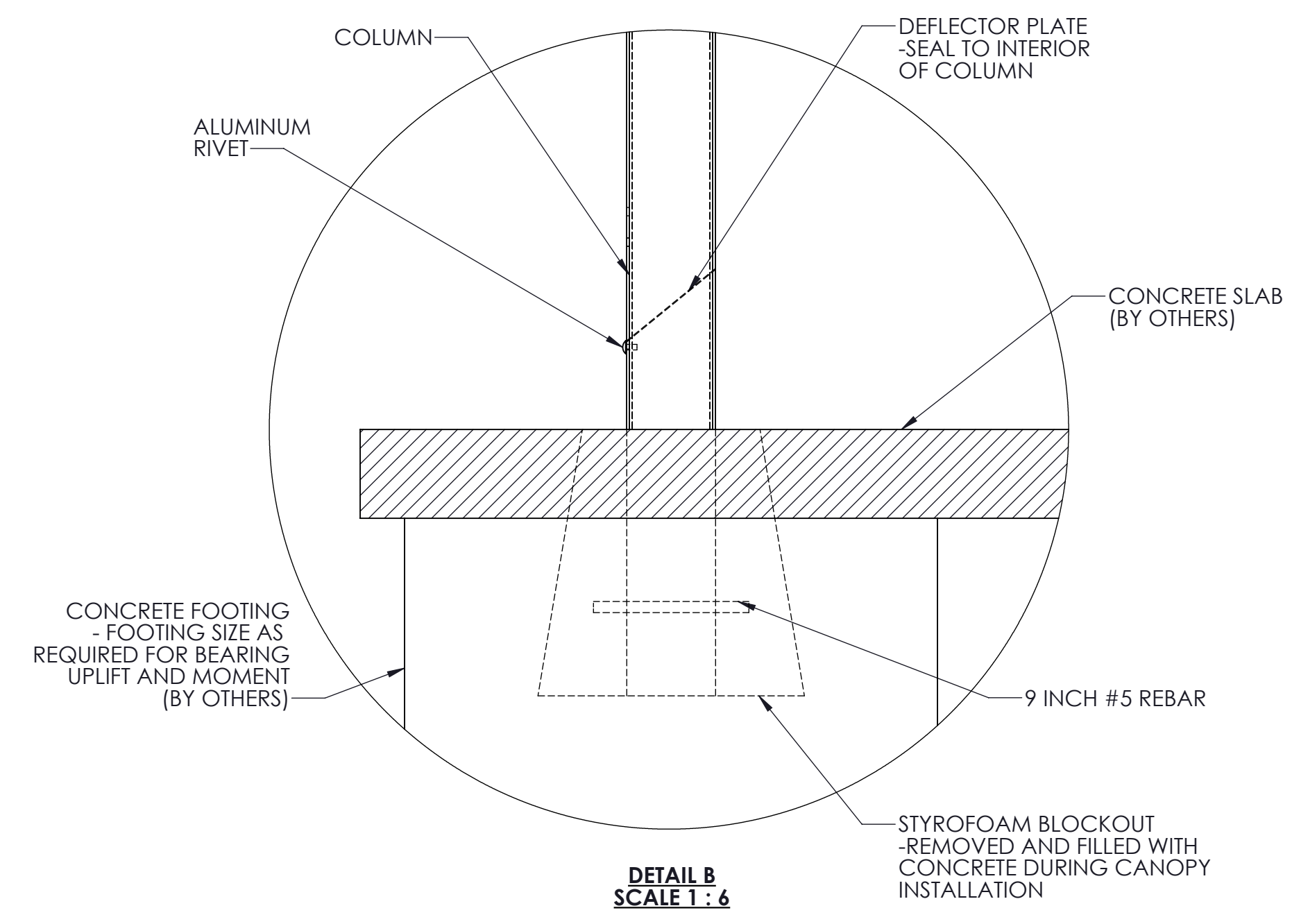
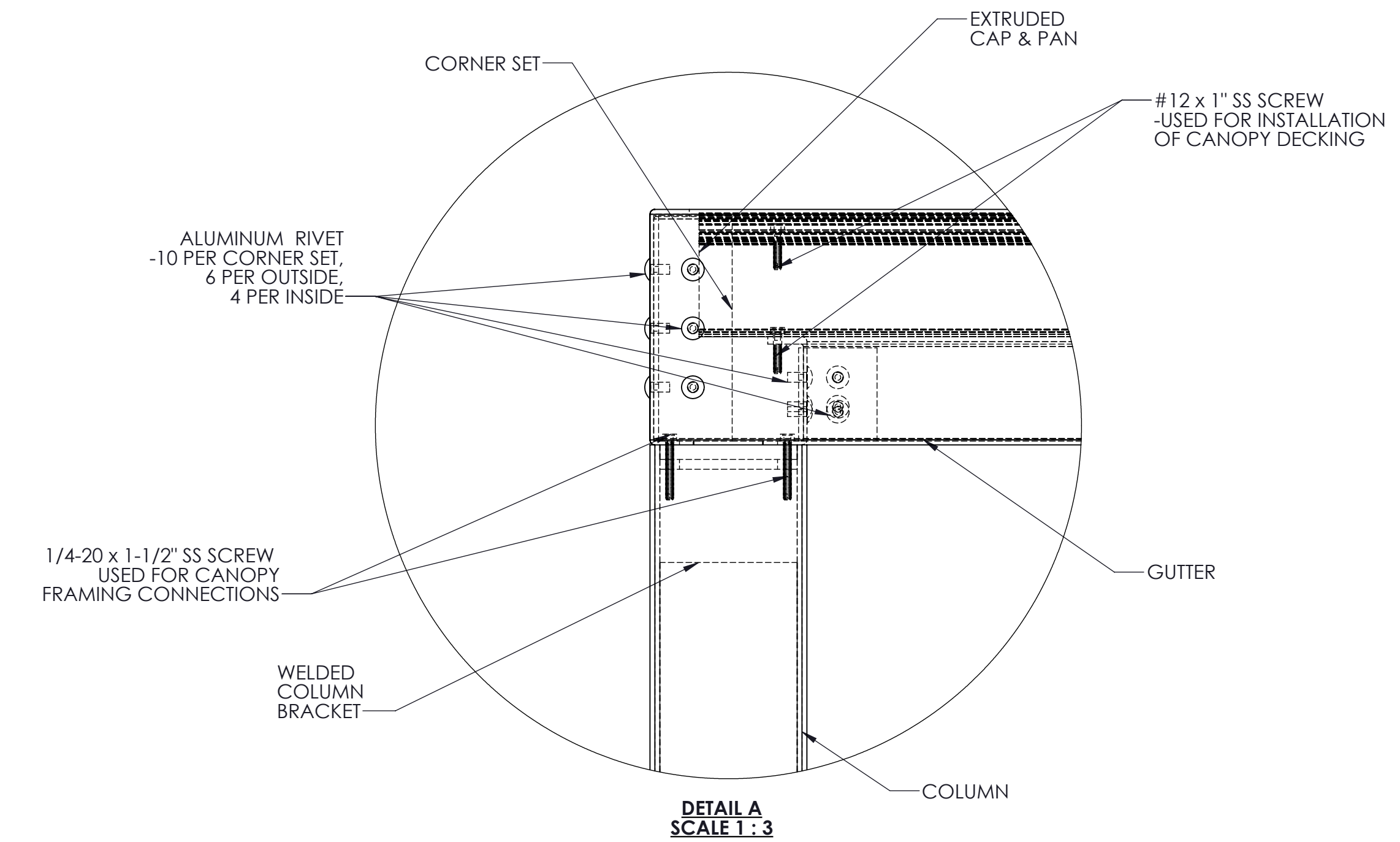
ALUMINUM COVERED WALK







SECTION VIEW OF CANOPY



ISOMETRIC VIEW OF CANOPY

SPECIFICATIONS
 Section 107300 - Aluminum Walkway Covers

1.01 General Description of Work:
 A. Work in this section shall include design and fabrication of pre-engineered aluminum canopies.
 B. Canopies are to be fabricated and installed according to approved shop drawings.

1.02 Design Criteria:
 A. International Building Code 2015
 B. ASCE 7-10
 C. Aluminum Design Manual 2015
 D. Local governing codes and standards for site location

1.03 Materials:
 A. All materials shall be extruded from aluminum unless indicated otherwise on the drawing.
 B. Material sizes shall meet or exceed the design criteria on 1.02

1.04 Finishes:
 A. Factory applied baked enamel to comply with AAMA 2603
 B. Color selected from manufacturers standard colors

1.05 Manufacturers:
 A. Mitchell Metals, LLC -www.mitchellmetals.net - 770-431-7300
 B. Dittmer - www.dittdeck.com - 407-699-1755
 C. See Specifications 2.1-C for conditions of equivalent systems by other manufacturers.

NO BEAMS ONLY RECOMMENDED IF BOTH SIDES OF CANOPY ARE ALLOWED TO DRAIN

- NOTES:
- [DC] = DRAINING COLUMN (IF APPLICABLE)
 - CANOPY WIDTH RECOMMENDED NOT TO EXCEED 13'-0"
 - COLUMN HEIGHT RECOMMENDED NOT TO EXCEED 12'-0" OR WIDTH OF CANOPY, WHICH EVER IS LOWER
 - ALL FASTENERS TO BE 300 SERIES STAINLESS STEEL OR ALUMINUM

| | |
|---|--------------|
| JOB NAME: Aluminum Walkway Covers | |
| TITLE: SHORTWAYS WITHOUT BEAMS | |
| REVISION # : | |
| DATE: 8/16/2017 | SHEET 1 OF 1 |

STAMP