

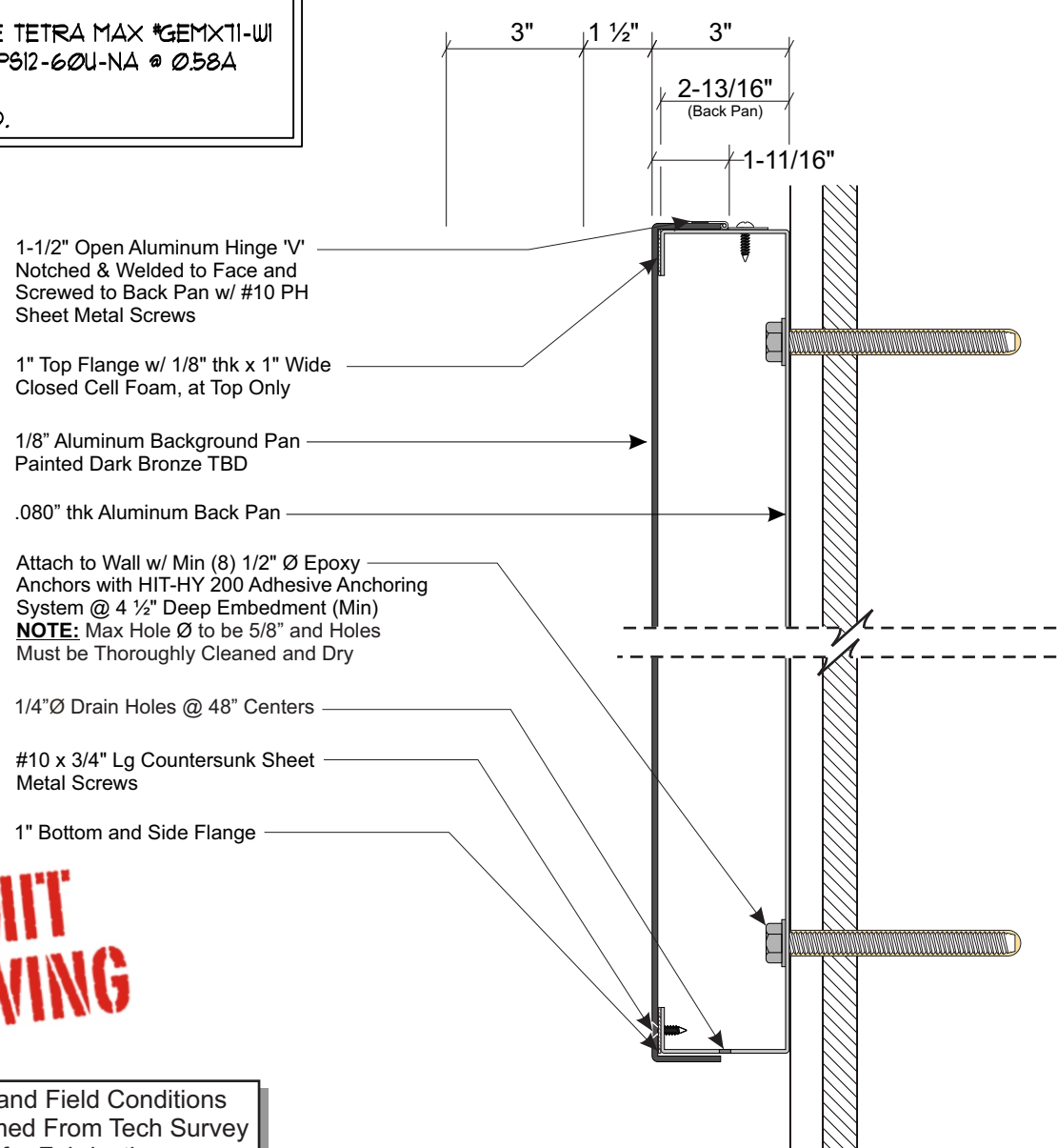
FASCIA BANDING w/ HALO CHANNEL LETTERS

Sign E01 - (1) Required

SCALE: 1/4" = 1'-0"

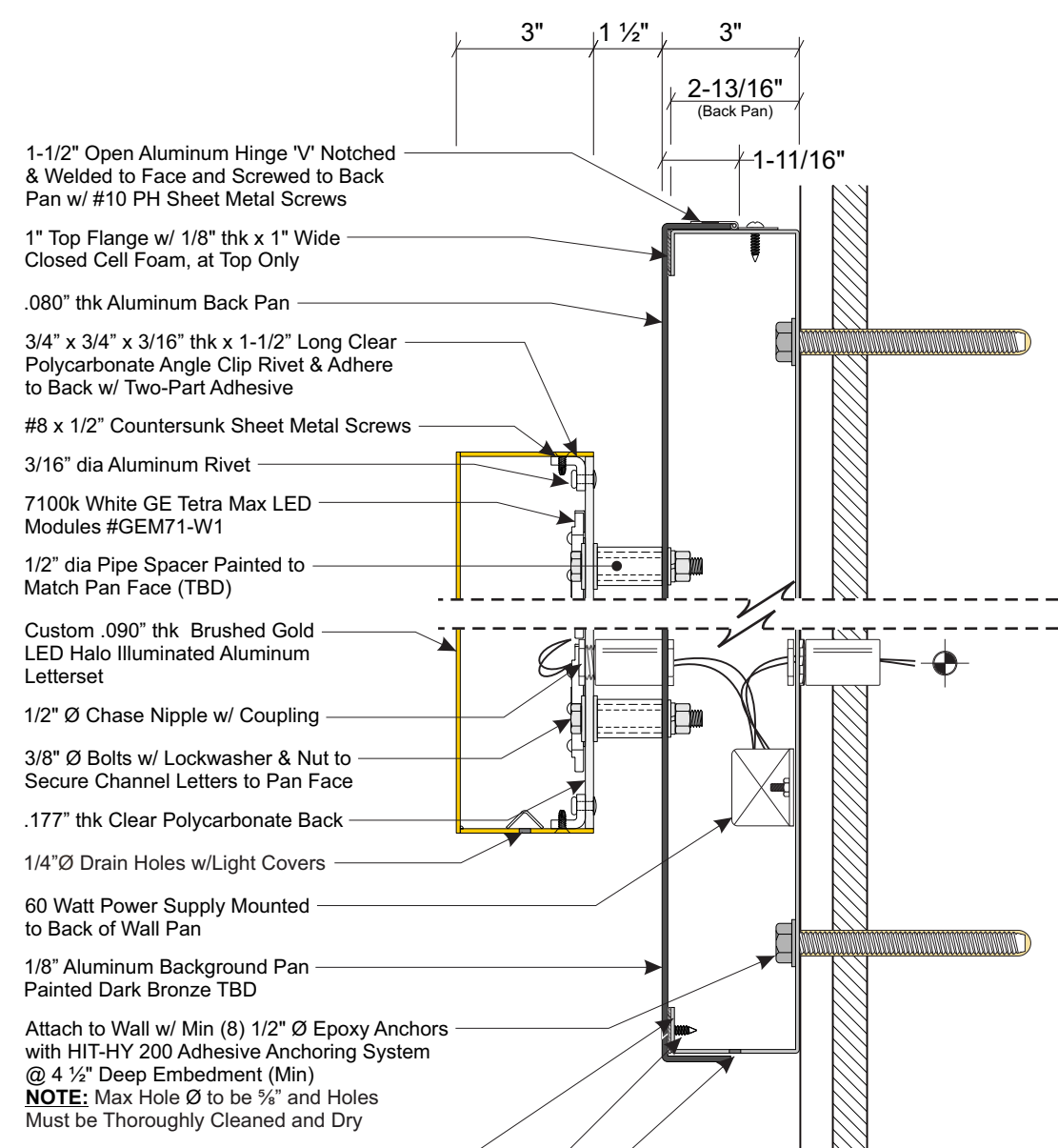
ELECTRICAL REQUIREMENTS:

LEDs: (118) 7100°K WHITE GE TETRA MAX #GEMX71-W1
POWER SUPPLY: (1) GE #GEPS12-60U-NA @ 0.58A
TOTAL LOAD: 0.58A @ 120V
CIRCUITS: (1) 20 AMP REQ'D.



SECTION VIEW @ NON-ILLUMINATED PANS

SCALE: 3" = 1'-0"



SECTION VIEW @ LETTERS

SCALE: 3" = 1'-0"

**PERMIT
DRAWING**

NOTE: All Dimensions and Field Conditions to be Verified and Confirmed From Tech Survey Prior to Releasing for Fabrication.

Note: This sign is intended to be installed in accordance with the requirements of Article 600 of the National Electrical Code and/or other applicable local codes. This includes proper grounding and bonding of the sign.



PHILADELPHIASIGN

BRINGING THE WORLD'S BRANDS TO LIFE

707 West Spring Garden Street
Palmyra, New Jersey 08065

Phone: 856.829.1460
Fax: 856.829.8549
www.philadelphiasign.com

CUSTOMER:

ALLSTATE

JOB NUMBER:

CHS.NB.309

SIGN TYPE:

Various

LOCATION:

**50 State Street
Albany, NY 12207**

DATE:

1/9/2019

DRAWN BY:

GJF

REVISION:

Number: Date: By:

SHEET:

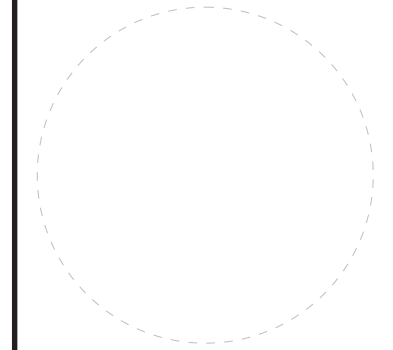
1 of 3

ENG DEPT

DWG NUMBER:

B81540

ENGINEER SEAL:



MAX DESIGN WIND SPEED 90 MPH
EXPOSURE C

THIS IS AN ORIGINAL UNPUBLISHED DRAWING CREATED BY PSCO. IT IS SUBMITTED FOR YOUR PERSONAL USE IN CONJUNCTION WITH A PROJECT BEING PLANNED FOR YOU BY PSCO. IT IS NOT TO BE SHOWN TO ANYONE OUTSIDE YOUR ORGANIZATION NOR IS IT TO BE USED, COPIED, REPRODUCED, OR EXHIBITED IN ANY FASHION.



CUSTOMER:

ALLSTATE

JOB NUMBER:

CHS.NB.309

SIGN TYPE:

Various

LOCATION:

**50 State Street
Albany, NY 12207**

DATE:

1/9/2019

DRAWN BY:

GJF

REVISION:

Number: Date: By:

SHEET:

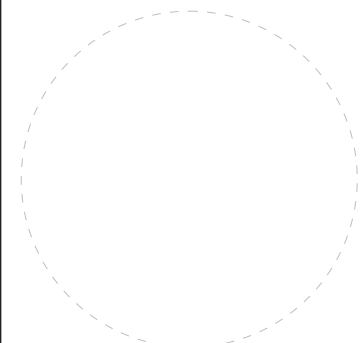
2 of 3

ENG DEPT

DWG NUMBER:

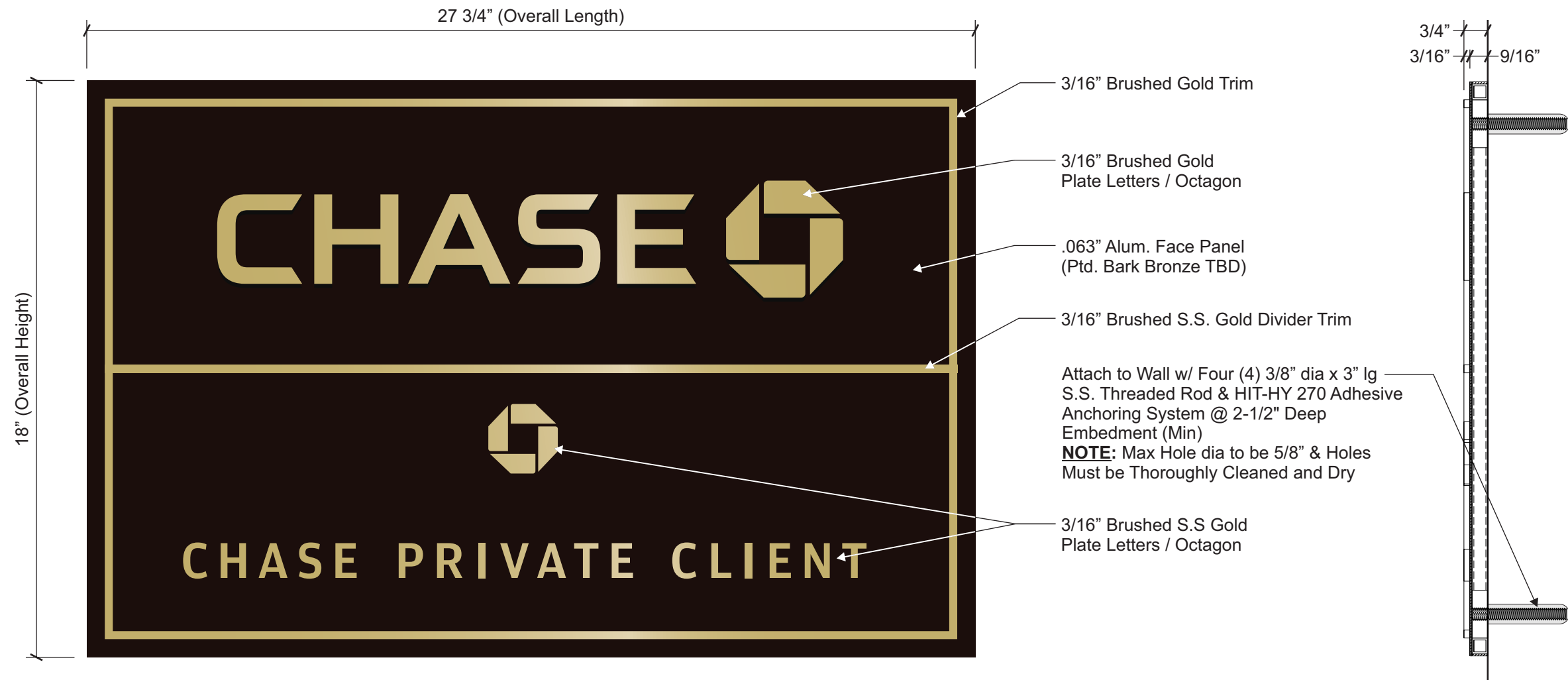
B81540

ENGINEER SEAL:



MAX DESIGN WIND SPEED 90 MPH
EXPOSURE C

THIS IS AN ORIGINAL UNPUBLISHED DRAWING
CREATED BY PSCO. IT IS SUBMITTED FOR YOUR
PERSONAL USE IN CONJUNCTION WITH A PROJECT
BEING PLANNED FOR YOU BY PSCO. IT IS NOT TO
BE SHOWN TO ANYONE OUTSIDE YOUR
ORGANIZATION NOR IS IT TO BE USED, COPIED,
REPRODUCED, OR EXHIBITED IN ANY FASHION.



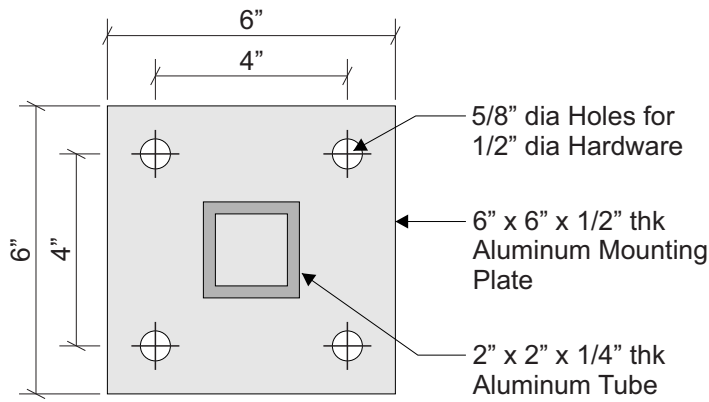
CPC-DB-C/CPC-EWP-18
Sign E07 - (1) Required
SCALE: 3" = 1'-0"

SECTION VIEW
SCALE: 3" = 1'-0"

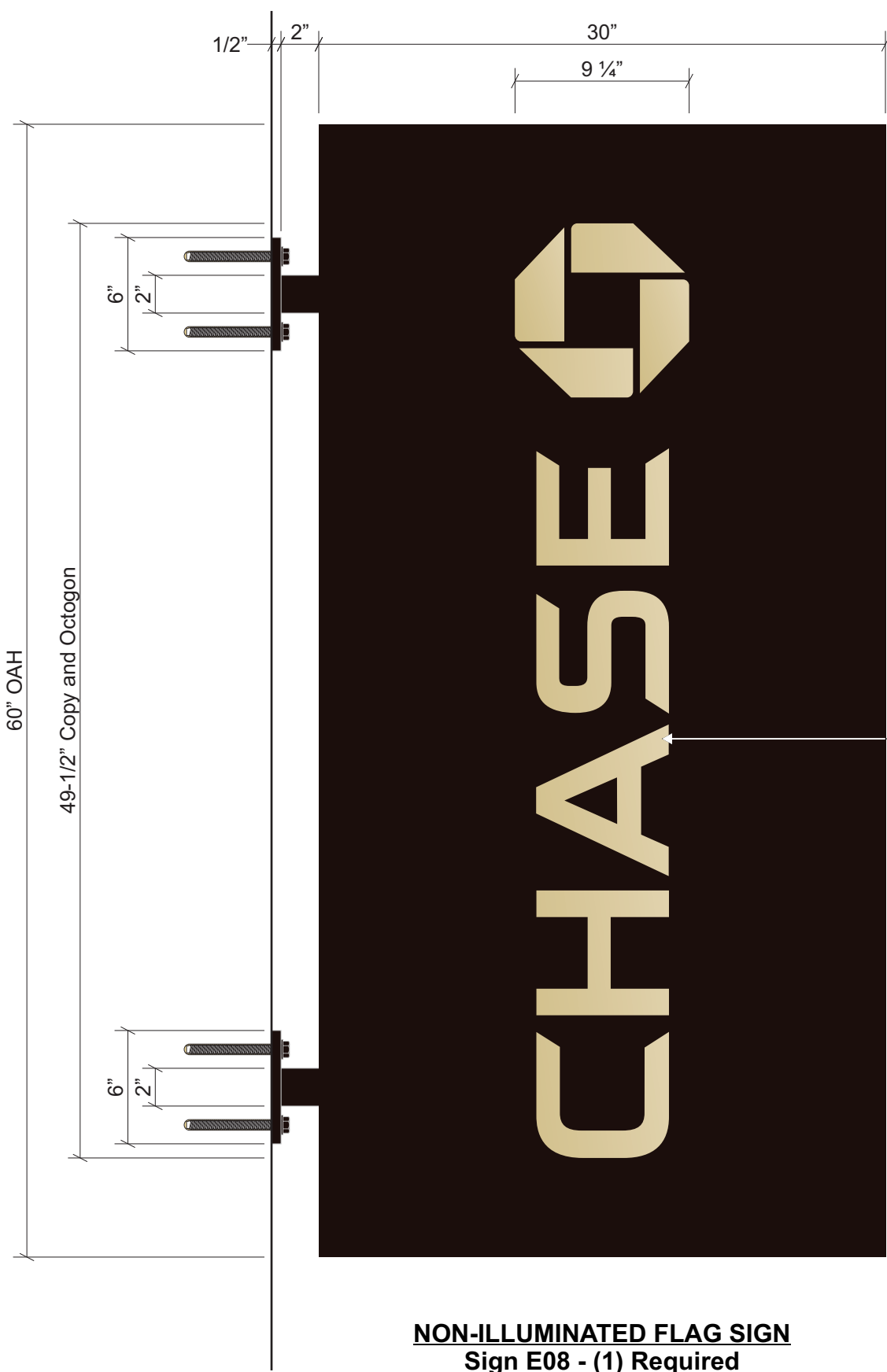
**PERMIT
DRAWING**

NOTE: All Dimensions and Field Conditions
to be Verified and Confirmed From Tech Survey
Prior to Releasing for Fabrication.

Note: This sign is intended to be installed in accordance with the requirements of
Article 600 of the National Electrical Code and/or other applicable local codes.
This includes proper grounding and bonding of the sign.



MOUNTING PLATE DETAIL
(2) Required
SCALE: 3" = 1'-0"



NON-ILLUMINATED FLAG SIGN
Sign E08 - (1) Required
SCALE: 1-1/2" = 1'-0"

Attach to Wall w/ Four (4) 1/2" Ø Epoxy Anchors with HIT-HY 200 Adhesive Anchoring System @ 4 1/2" Deep Embedment (Min)
NOTE: Max Hole Diameter to be 5/8" & Holes Must be Thoroughly Cleaned and Dry

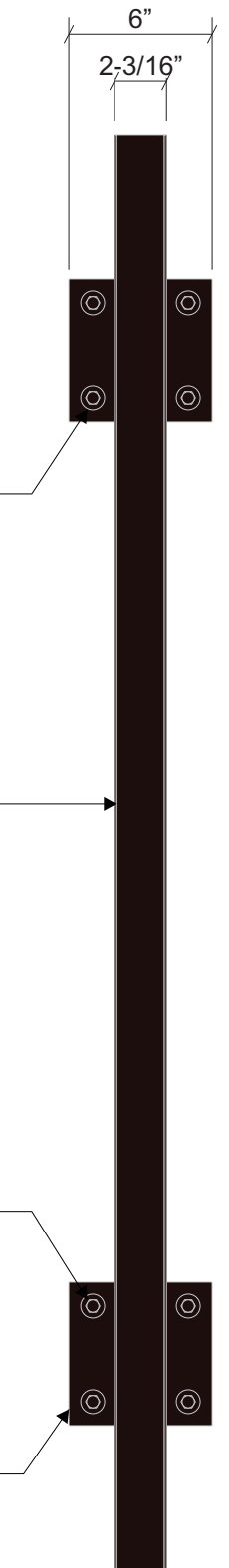
2" x 2" x 1/4" thk Aluminum Tube Frame Painted Bark Bronze (TBD)

3/16" Brushed Gold Plate Letters / Octagon

.090" Aluminum Face Panel (Painted Bark Bronze TBD)

Attach to Wall w/ Four (4) 1/2" Ø Epoxy Anchors with HIT-HY 200 Adhesive Anchoring System @ 4 1/2" Deep Embedment (Min)
NOTE: Max Hole Diameter to be 5/8" & Holes Must be Thoroughly Cleaned and Dry

6" x 6" x 1/2" thk Aluminum Mounting Plate Painted Bark Bronze (TBD)



SIDE VIEW
SCALE: 1-1/2" = 1'-0"

**PERMIT
DRAWING**

NOTE: All Dimensions and Field Conditions to be Verified and Confirmed From Tech Survey Prior to Releasing for Fabrication.

Note: This sign is intended to be installed in accordance with the requirements of Article 600 of the National Electrical Code and/or other applicable local codes. This includes proper grounding and bonding of the sign.



PHILADELPHIASIGN
BRINGING THE WORLD'S BRANDS TO LIFE

707 West Spring Garden Street
Palmyra, New Jersey 08065

Phone: 856.829.1460
Fax: 856.829.8549
www.philadelphiasign.com

CUSTOMER:
ALLSTATE
JOB NUMBER:
CHS.NB.309

SIGN TYPE:
Various

LOCATION:
50 State Street
Albany, NY 12207

DATE:
1/9/2019

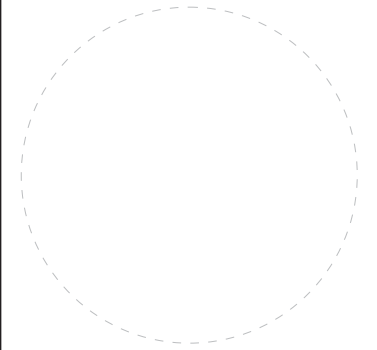
DRAWN BY:
GJF

REVISION:
Number: Date: By:

SHEET: ENG DEPT
3 of 3

DWG NUMBER:
B81540

ENGINEER SEAL:



MAX DESIGN WIND SPEED 90 MPH
EXPOSURE C

THIS IS AN ORIGINAL UNPUBLISHED DRAWING CREATED BY PSCO. IT IS SUBMITTED FOR YOUR PERSONAL USE IN CONJUNCTION WITH A PROJECT BEING PLANNED FOR YOU BY PSCO. IT IS NOT TO BE SHOWN TO ANYONE OUTSIDE YOUR ORGANIZATION NOR IS IT TO BE USED, COPIED, REPRODUCED, OR EXHIBITED IN ANY FASHION.