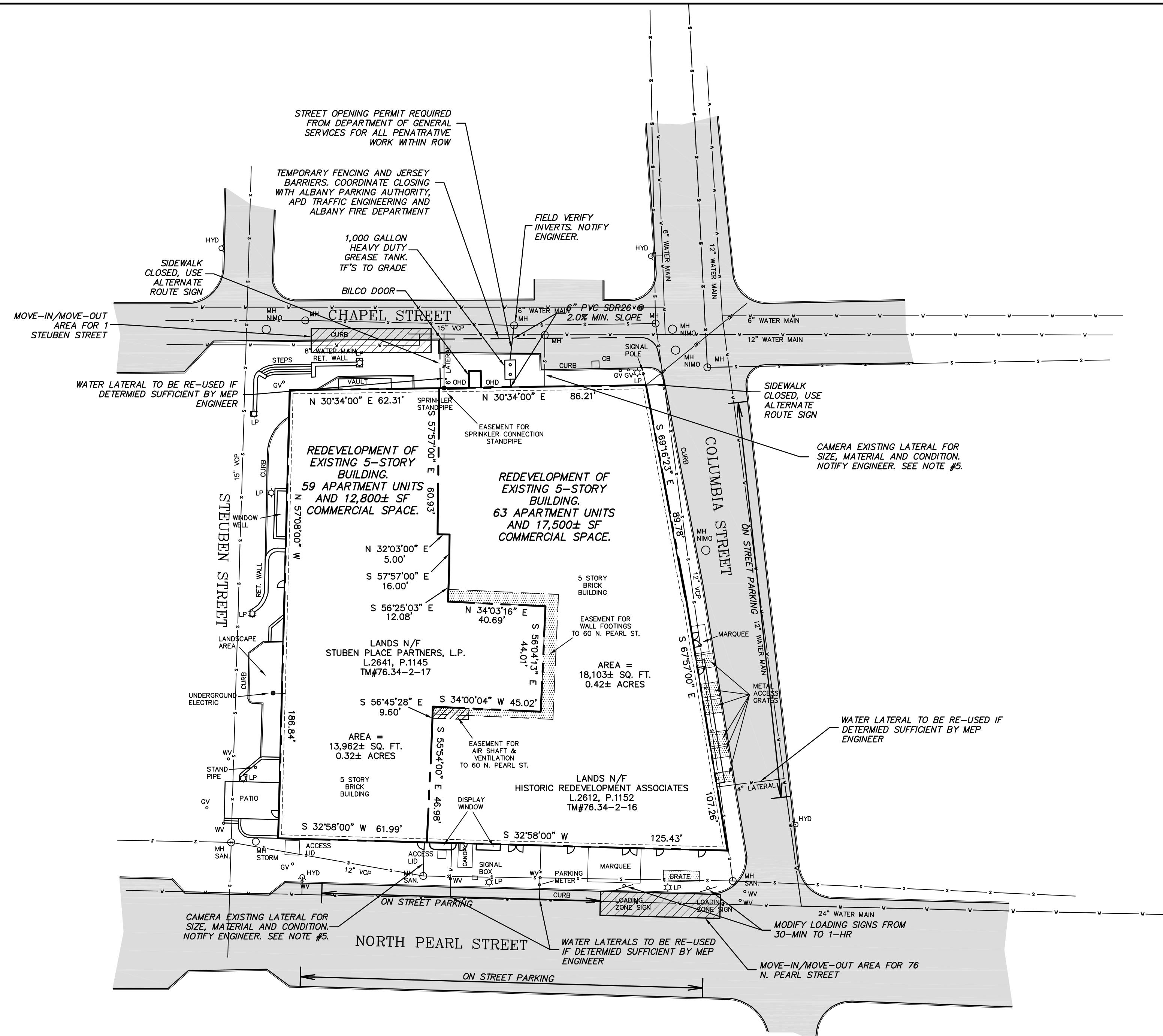


SITE LOCATION MAP



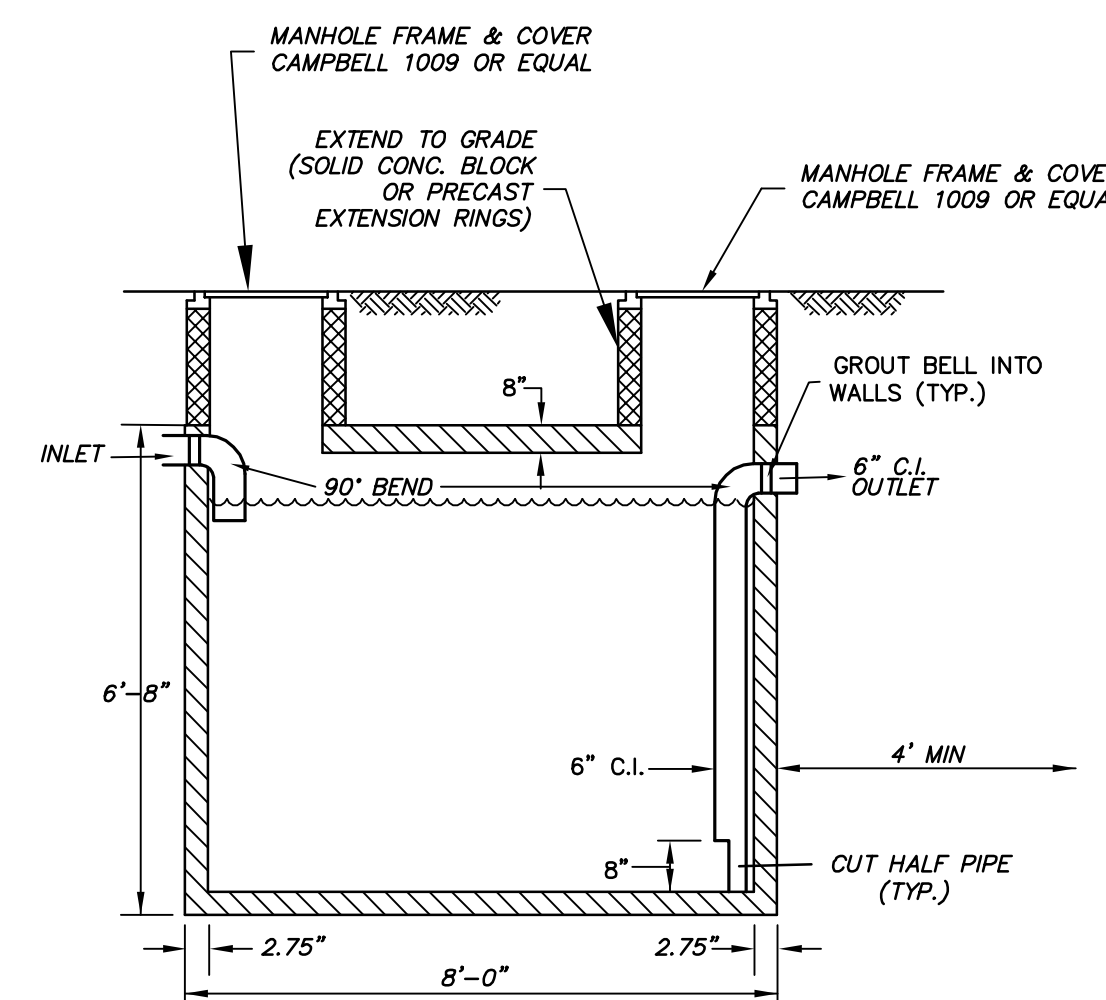
- NOTES -**
- BASE MAPPING PREPARED BY ABD ENGINEERS, LLP FROM A JUNE 7, 2018 FIELD SURVEY. ALL UNDERGROUND UTILITIES SHOWN PER CITY OF ALBANY DEPARTMENT OF WATER & WATER SUPPLY MAP.
 - THE PLANS SHOW SOME KNOWN STRUCTURE, ABOVEGROUND STRUCTURES AND/OR UTILITIES BELIEVED TO EXIST IN THE WORKING AREA. EXACT LOCATION OF WHICH MAY VARY FROM THE LOCATIONS INDICATED. IN PARTICULAR, THE CONTRACTOR IS WARNED THAT THE EXACT OR EVEN APPROXIMATE LOCATION OF SUCH PIPE LINES, SUBSURFACE STRUCTURES AND/OR UTILITIES IN THE AREA MAY BE DIFFERENT FROM THAT SHOWN OR MAY NOT BE SHOWN AND IT SHALL BE HIS RESPONSIBILITY TO PROCEED WITH GREAT CARE IN EXECUTING ANY WORK. 48 HOURS BEFORE YOU DIG, DRILL OR BLAST, CALL U.F.P.O. (1-800-962-7962), TOLL FREE.
 - CONSTRUCTION ACTIVITIES THAT DAMAGE THE ROADWAY, SIDEWALKS OR CURBING SHALL BE REPAIRED BY THE OWNER TO THE FULL SATISFACTION OF THE CITY ENGINEER.
 - TRAFFIC MARKINGS DAMAGED DUE TO CONSTRUCTION ACTIVITIES SHALL BE REPLACED TO THE FULL SATISFACTION OF APD TRAFFIC ENGINEERING.
 - VIDEO CAMERA INSPECTION OF THE EXISTING SANITARY SEWER LATERAL MUST BE SUBMITTED TO THE CITY OF ALBANY DEPARTMENT OF WATER & WATER SUPPLY FOR REVIEW. EXISTING LATERAL WITH MAJOR CRACKS AND OR INFILTRATION OF GROUNDWATER WILL NOT BE ACCEPTABLE FOR REUSE.
 - 48 HOURS NOTICE MUST BE GIVEN TO ALBANY DEPARTMENT OF WATER & WATER SUPPLY FOR INSPECTIONS.
 - WATER/SEWER SERVICE PERMITS WILL BE REQUIRED FOR THE PROPOSED UTILITY CONNECTIONS PRIOR TO THE START OF CONSTRUCTION.
 - FIRE SUPPRESSION SYSTEM TO BE DESIGNED BY PLUMBING ENGINEER, BACKFLOW PREVENTER TO BE INSTALLED. COORDINATE WITH CITY OF ALBANY DEPARTMENT OF WATER & WATER SUPPLY.

76 N. PEARL SITE STATISTICS		PROVIDED	
BUILDING	-	18,103 SF	100.0%
GREEN	-	0 SF	0.0%
PAVE	-	0 SF	0.0%
TOTAL	-	18,103 SF	100%
ZONING: M-U DOWNTOWN REQUIRED		PROVIDED	
LOT SIZE: N/A	18,103 SF		
LOT WIDTH: 20' MIN.	86.2'		
IMPERVIOUS AREA: 100% MAX.	100%		
BUILDING HEIGHT: N/A	5 STORIES		
SETBACKS:			
FRONT: 10' MAX.	0'		
SIDE: 0' MIN.	0'		
REAR: 0' MIN.	0'		
DWELLING UNITS: PER BUILDING CODE	133		

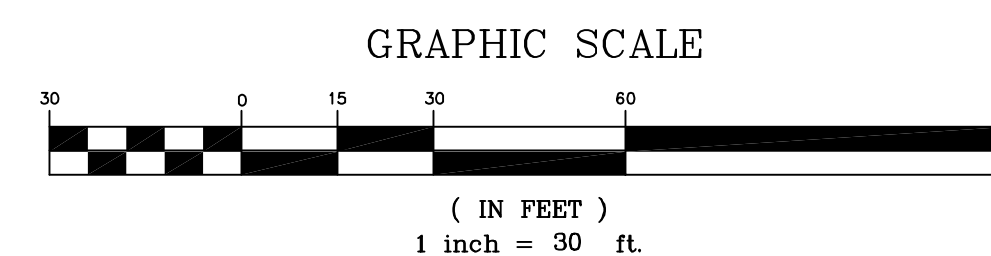
1 STEUBEN STATISTICS		PROVIDED	
BUILDING	-	13,962 SF	100.0%
GREEN	-	0 SF	0.0%
PAVE	-	0 SF	0.0%
TOTAL	-	13,962 SF	100%
ZONING: M-U DOWNTOWN REQUIRED		PROVIDED	
LOT SIZE: N/A	13,962 SF		
LOT WIDTH: 20' MIN.	82.0'		
IMPERVIOUS AREA: 100% MAX.	100%		
BUILDING HEIGHT: N/A	5 STORIES		
SETBACKS:			
FRONT: 10' MAX.	0'		
SIDE: 0' MIN.	0'		
REAR: 0' MIN.	0'		
DWELLING UNITS: PER BUILDING CODE	133		

OWNER/APPLICANT:
 DAMEN PINTO-MARTIN
 REDBURN DEVELOPMENT PARTNERS
 204 LAFAYETTE STREET
 SCHENECTADY, NY 12305

TAX MAP #: 76.34-2-17 & 76.34-2-16
 AREA = 30,994± SQ. FT.
 0.71± ACRES



1000 GALLON GREASE TRAP
 TANK A
PRECAST GREASE INTERCEPTOR
 (EXTRA HEAVY DESIGN - H-20 LOADING)
 NO SCALE



- LEGEND**
- GV ○ GAS VALVE
 - WV ○ WATER VALVE
 - WSD ○ WATER SHUT OFF
 - MH ○ MANHOLE
 - CB □ CATCH BASIN
 - PP □ UTILITY POLE
 - LP □ LIGHT POLE
 - IRF ● IRON ROD FOUND
 - IPF ● IRON PIPE FOUND
 - CIRF ● CAPPED IRON ROD FOUND
 - CIRS ● CAPPED IRON ROD SET
 - MAG NAIL
 - NETLAND FLAG
 - SIGN
 - GAS LINE
 - TELEPHONE LINE
 - WATER LINE
 - UNDERGROUND ELEC LINE
 - STORM LINE
 - SANITARY LINE
 - OVERHEAD UTIL.

ALTERATION OF THIS DOCUMENT EXCEPT BY A LICENSED PROFESSIONAL ENGINEER IS ILLEGAL

LUIGI A. PALLEOCHI, P.E.
 N.Y.S. LICENSE NO. 94676

SITE PLAN AMENDMENT
MIXED USE BUILDING
 76 NORTH PEARL STREET
 & 1 STEUBEN STREET

CITY OF ALBANY COUNTY OF ALBANY

STATE OF NEW YORK
ABD ENGINEERS, LLP
 411 Union Street
 Schenectady, NY 12305
 518-377-0315 Fax 518-377-0379
 www.abdeng.com

DATE: JULY 18, 2018 SCALE: 1" = 30' DWG: 5005A-S1 SHEET OF 1 1