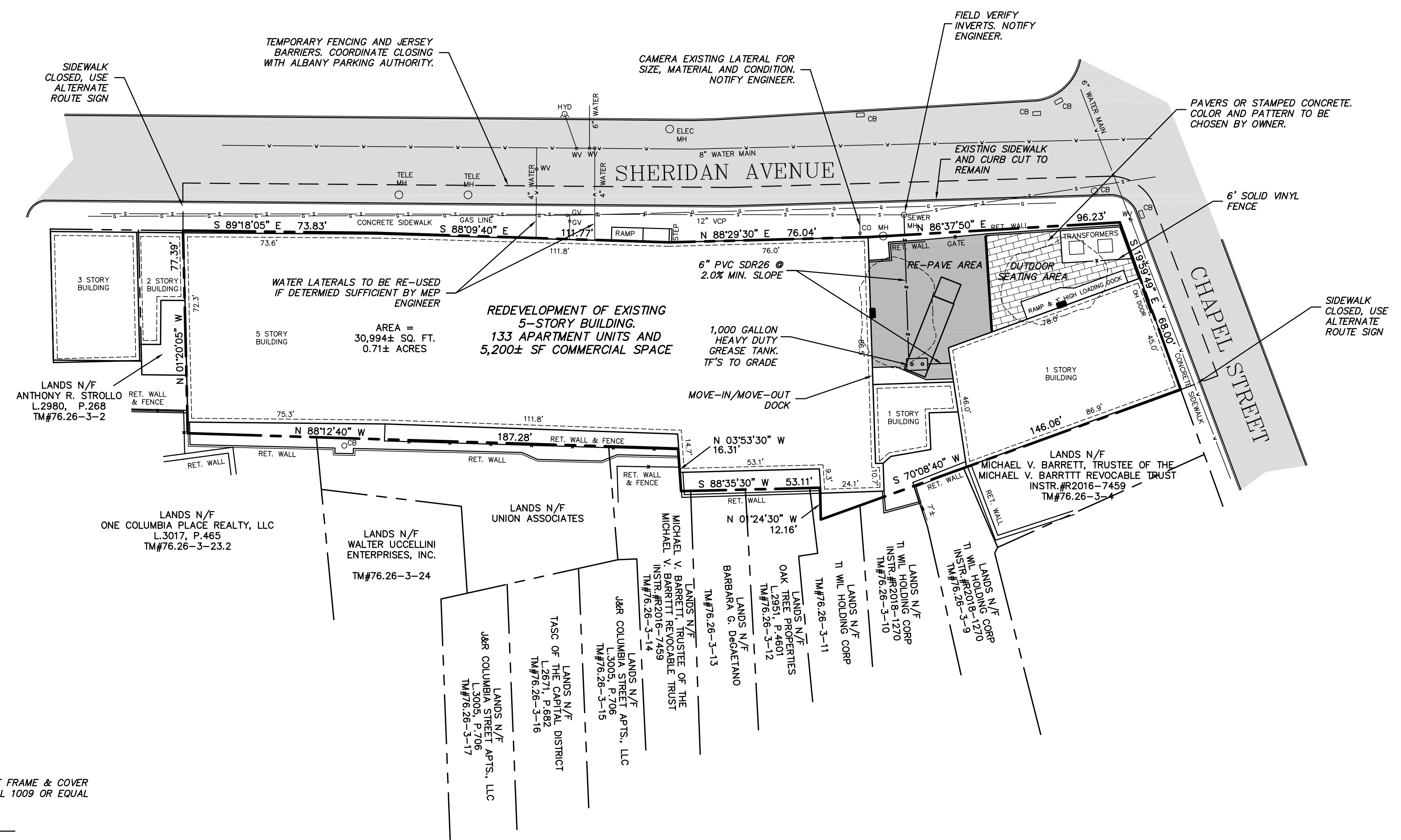


SITE LOCATION MAP

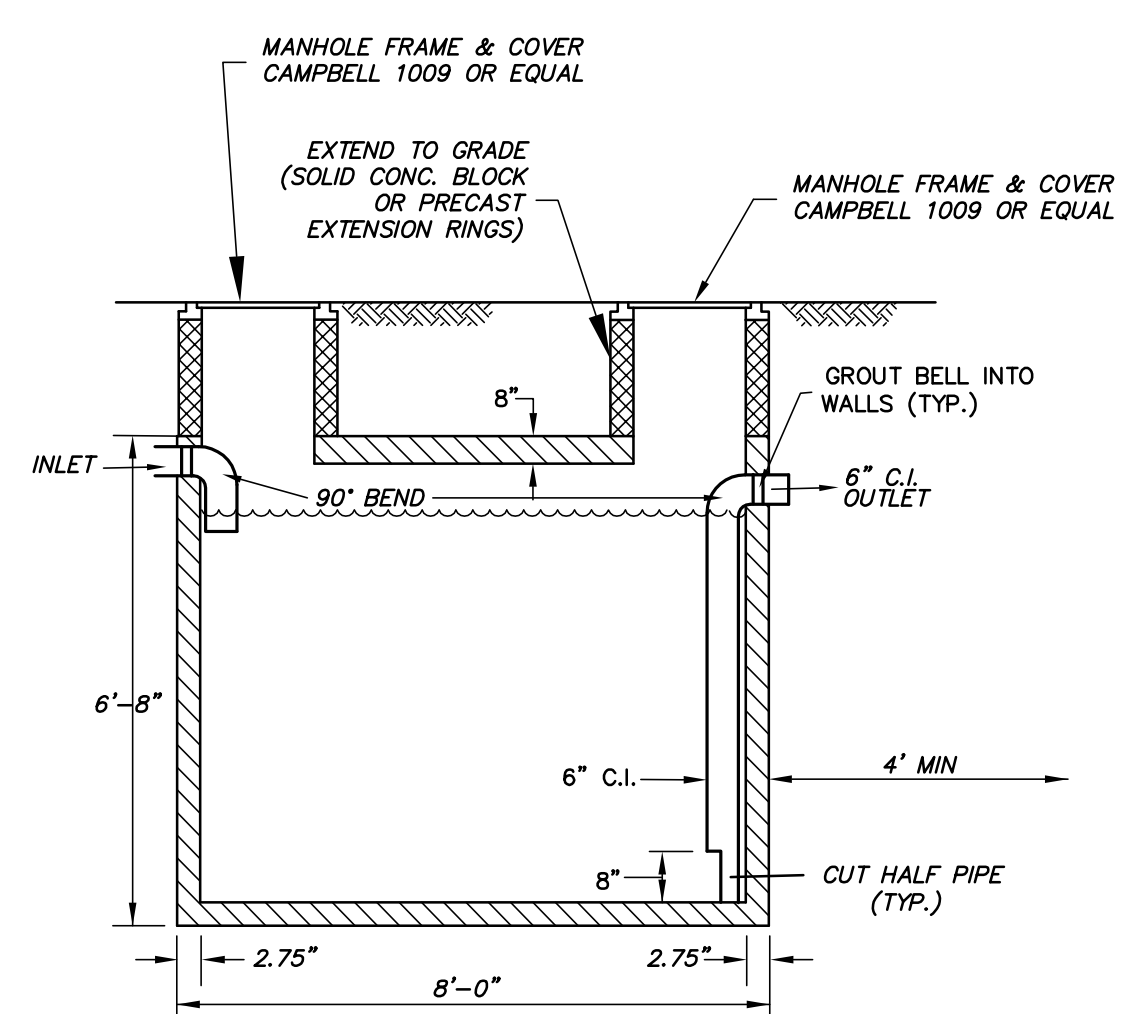
NOTES:

1. BASE MAPPING PREPARED BY ABD ENGINEERS, LLP FROM A JUNE 26, 2018 FIELD SURVEY.
2. THE PLANS SHOW SOME KNOWN STRUCTURE, ABOVEGROUND STRUCTURES AND/OR UTILITIES BELIEVED TO EXIST IN THE WORKING AREA. EXACT LOCATION OF WHICH MAY VARY FROM THE LOCATIONS INDICATED. IN PARTICULAR, THE CONTRACTOR IS WARNED THAT THE EXACT OR EVEN APPROXIMATE LOCATION OF SUCH PIPE LINES, SUBSURFACE STRUCTURES AND/OR UTILITIES IN THE AREA MAY BE DIFFERENT FROM THAT SHOWN OR MAY NOT BE SHOWN AND IT SHALL BE HIS RESPONSIBILITY TO PROCEED WITH GREAT CARE IN EXECUTING ANY WORK. 48 HOURS BEFORE YOU DIG, DRILL OR BLAST, CALL U.F.P.O. (1-800-962-7962), TOLL FREE.

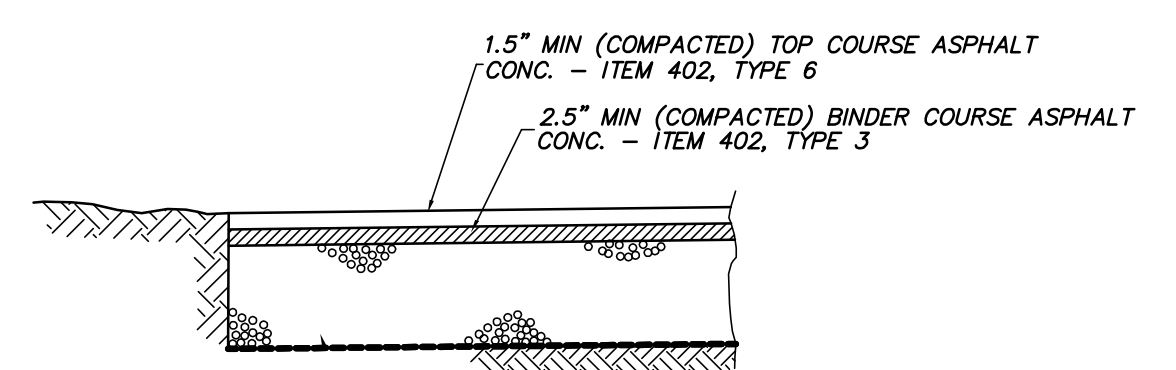


16 SHERIDAN SITE STATISTICS	PROVIDED
BUILDING	24,793 SF 80.0%
GREEN	0 SF 0.0%
PAVE	6,201 20.0%
TOTAL	30,994 SF 100% (0.71± ACRES)

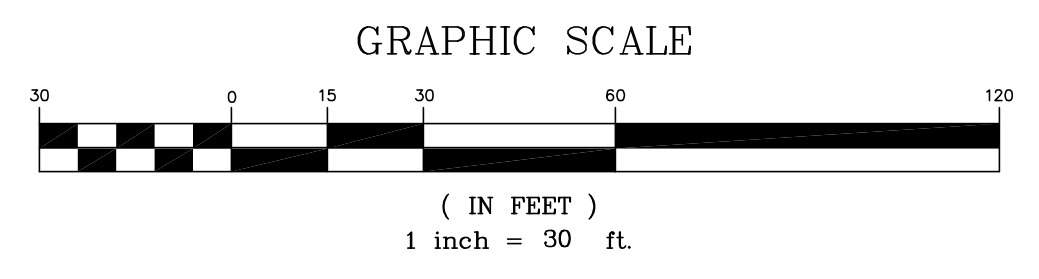
ZONING: M-U DOWNTOWN REQUIRED	PROVIDED
LOT SIZE: N/A	30,994 SF
LOT WIDTH: 20' MIN.	68.0'
IMPERVIOUS AREA: 100% MAX.	100%
BUILDING HEIGHT: N/A	5 STORIES
SETBACKS:	
FRONT: 10' MAX.	0'
SIDE: 0' MIN.	0'
REAR: 0' MIN.	0'
DWELLING UNITS: PER BUILDING CODE	133



1000 GALLON GREASE TRAP TANK A
PRECAST GREASE INTERCEPTOR
(EXTRA HEAVY DESIGN - H-20 LOADING)
NO SCALE



RE-SURFACE PAVEMENT DETAIL
NO SCALE



OWNER/APPLICANT:
DAMIEN PINTO-MARTIN
REDBURN DEVELOPMENT PARTNERS
204 LAFAYETTE STREET
SCHENECTADY, NY 12305

TAX MAP #: 76.26-3-3
AREA:
30,994± SQ. FT.
0.71± ACRES

LEGEND	
GV	GAS VALVE
WV	WATER VALVE
WSD	WATER SHUT OFF
MH	MANHOLE
CB	CATCH BASIN
PP	UTILITY POLE
LP	LIGHT POLE
IRP	IRON ROD FOUND
IPF	IRON PIPE FOUND
CRP	CAPPED IRON ROD FOUND
CRS	CAPPED IRON ROD SET
MAG	MAG NAIL
A11	WETLAND FLAG
—	SIGN
—	GAS LINE
—	TELEPHONE LINE
—	WATER LINE
—	UNDERGROUND ELEC LINE
—	STORM LINE
—	SANITARY LINE
—	OVERHEAD UTIL.

ALTERATION OF THIS DOCUMENT EXCEPT BY A LICENSED PROFESSIONAL ENGINEER IS ILLEGAL

LUIGI A. PALLESCHI, P.E.
N.Y.S. LICENSE NO. 94676

SITE PLAN AMENDMENT
MIXED USE BUILDING
16 SHERIDAN AVENUE

CITY OF ALBANY COUNTY OF ALBANY

STATE OF NEW YORK
ABD ENGINEERS, LLP
411 Union Street
Schenectady, NY 12305
518-377-0315 Fax 518-377-0379
www.abdeng.com

DATE: JULY 18, 2018 SCALE: 1" = 30' DWG. 5005B-53 SHEET 1 OF 1